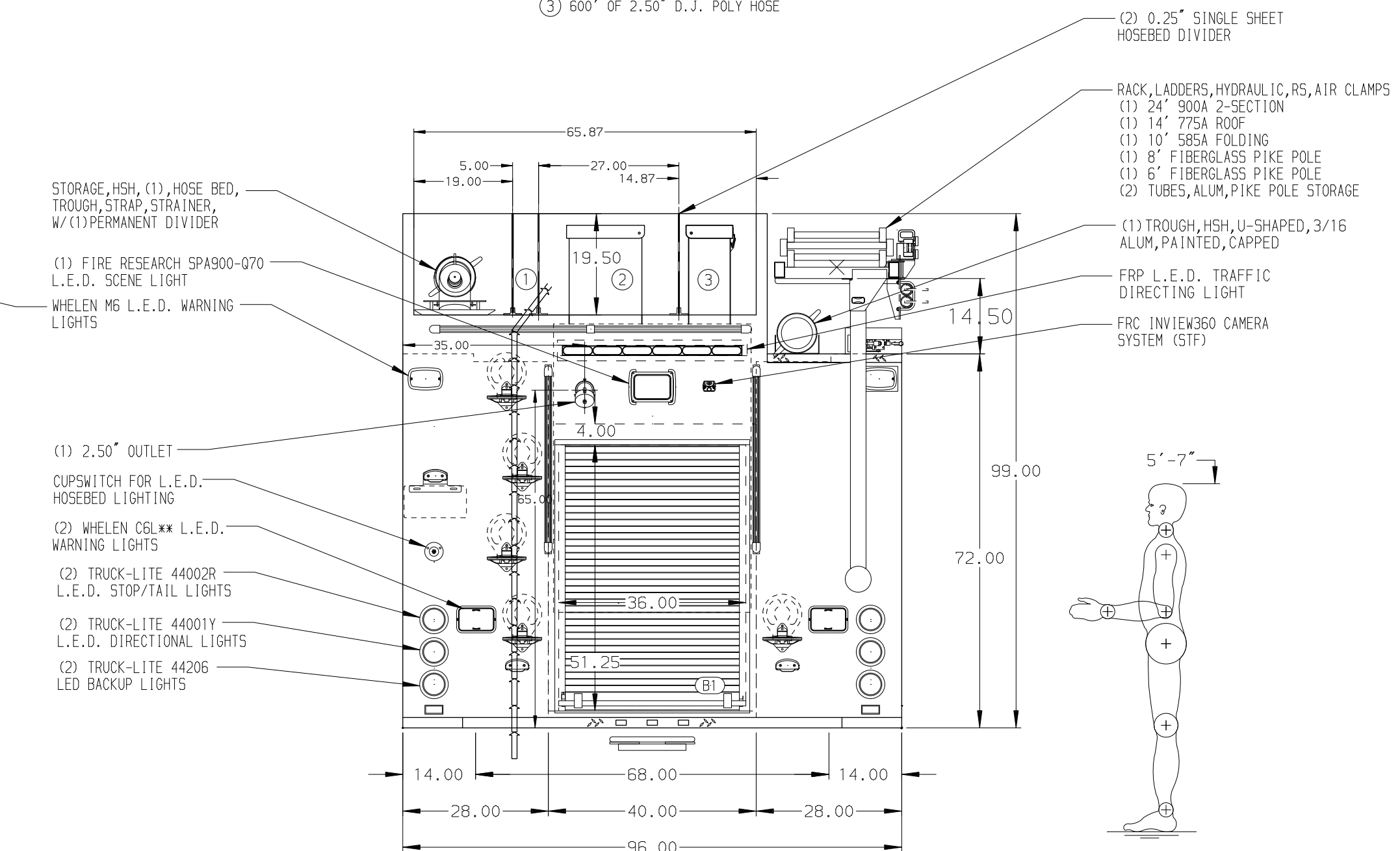


- HOSEBED CAPACITIES
- ① 200' OF 2.50" D.J. POLY HOSE
 - ② 800' OF 5.00" D.J. POLY HOSE
 - ③ 600' OF 2.50" D.J. POLY HOSE



ALUMINUM BODY

MAXIMUM O.A.H. 124"

NOTE
DIMENSIONS SHOWN ARE APPROXIMATE AND ARE SUBJECT TO MINOR DEVIATIONS AS MAY OCCUR OR BE NECESSARY IN CONSTRUCTION. MINOR DETAILS NOT SHOWN.

10JAN20	CRH	DDR	CHASSIS DATA
09JAN20	CRH	DDR	MAKE
17DEC19	CRH	DDR	PIERCE
03OCT19	LME	WKL	MODEL
REV	DATE	BY	CH

	JOB NO.	34241-01-02	
	SCALE	1:24	
TITLE	1500-D-1025P, 1000G WATER W/25GFOAM CELL, 161" BODY (2) SPEEDLAYS, HUSKY 3, FULL HEIGHT&DEPTH FRONT&REAR	DATE	24SEP19
FOR	SPARTA AREA FIRE DISTRICT	CHECKED BY	WKL
DWG NO.	34241AD	SHEET SIZE	D
		SHEET NO.	1 OF 1