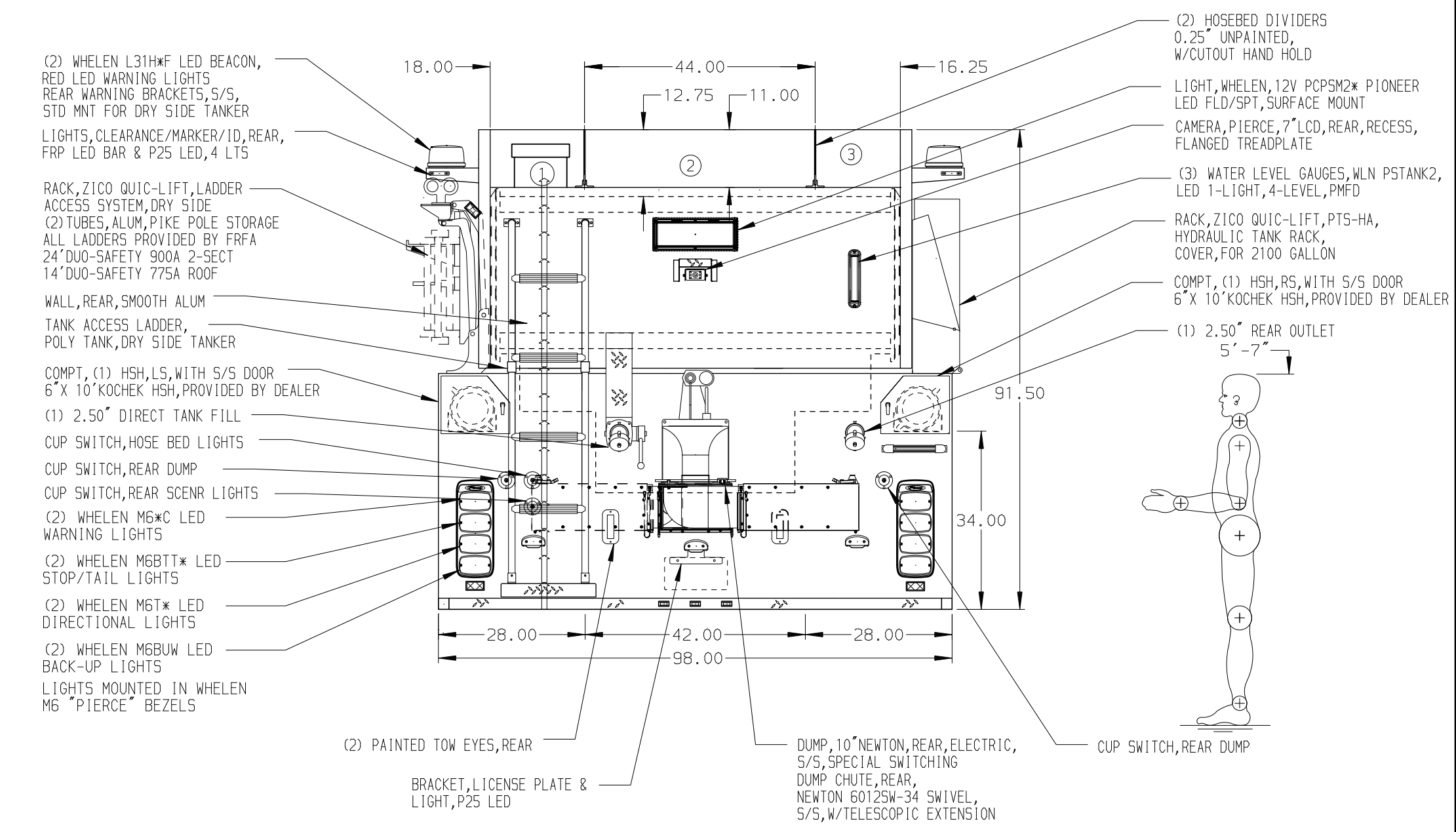
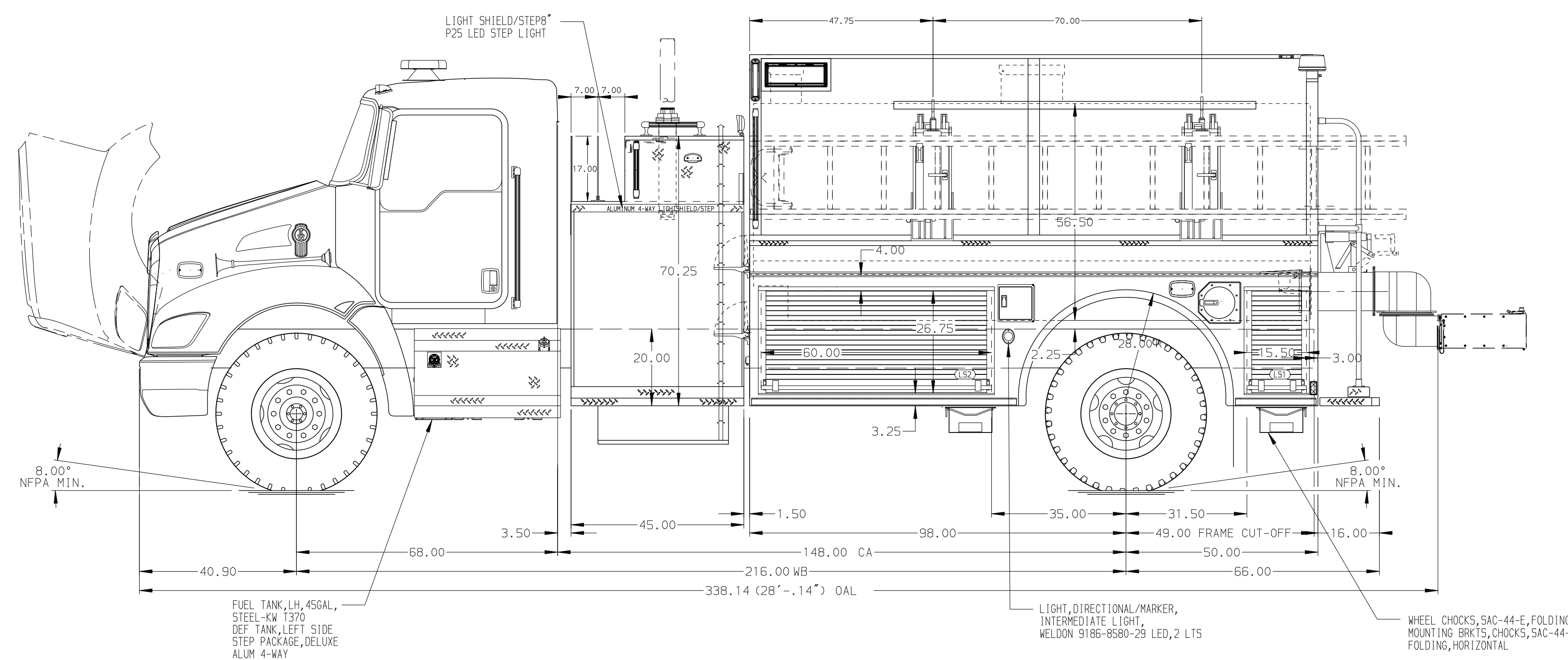


- HOSEBED CAPACITIES
- ① 200' OF 2.50" D.J. POLY HOSE
  - ② 1000' OF 3.00" D.J. POLY HOSE
  - ③ 400' OF 1.75" D.J. POLY HOSE



ALUMINUM BODY

MAXIMUM O.A.H. 116"

NOTE  
DIMENSIONS SHOWN ARE APPROXIMATE AND ARE SUBJECT TO MINOR DEVIATIONS AS MAY OCCUR OR BE NECESSARY IN CONSTRUCTION. MINOR DETAILS NOT SHOWN.

REV	DATE	BY	CH	T370
21FEB20	JLA	RW1	MAKE	
29JAN20	JLA	AJA	KW	
06SEP19	JLA	RW1	MODEL	

<p>MANUFACTURING INC. BRADENTON, FLORIDA</p>		JOB NO.	34195	
		SCALE	1:24	
<p>TITLE</p> <p>1250-D-1980 POLY, 20 GAL FOAM, 148" DRY SIDE 45" SIDE CONTROL, (2) 1.5" CROSSLAYS</p> <p>FOR</p> <p>FREMONT COUNTY FPD RIVERTON, WYOMING</p>	DRAWN BY	JLA	29JUL19	
	CHECKED BY	RW1	30JUL19	
DWG NO.	34195AD		SHEET NO.	1 OF 1