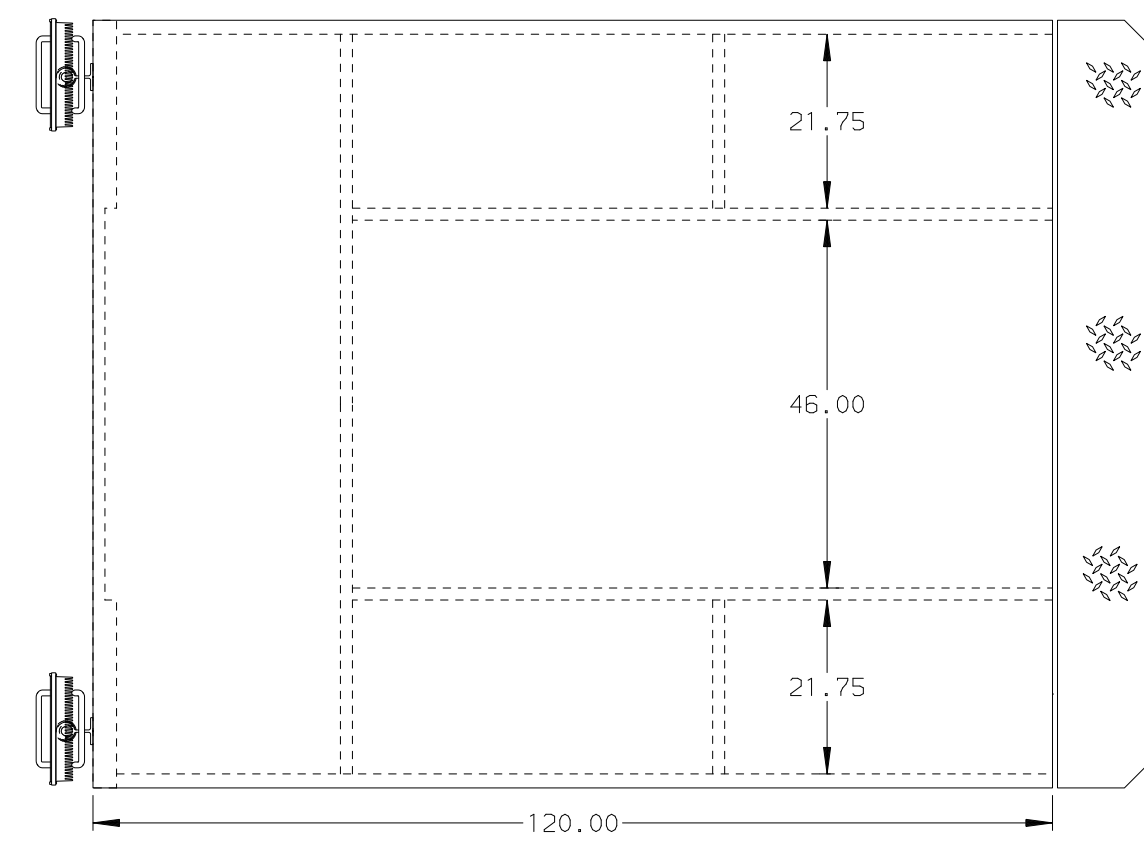
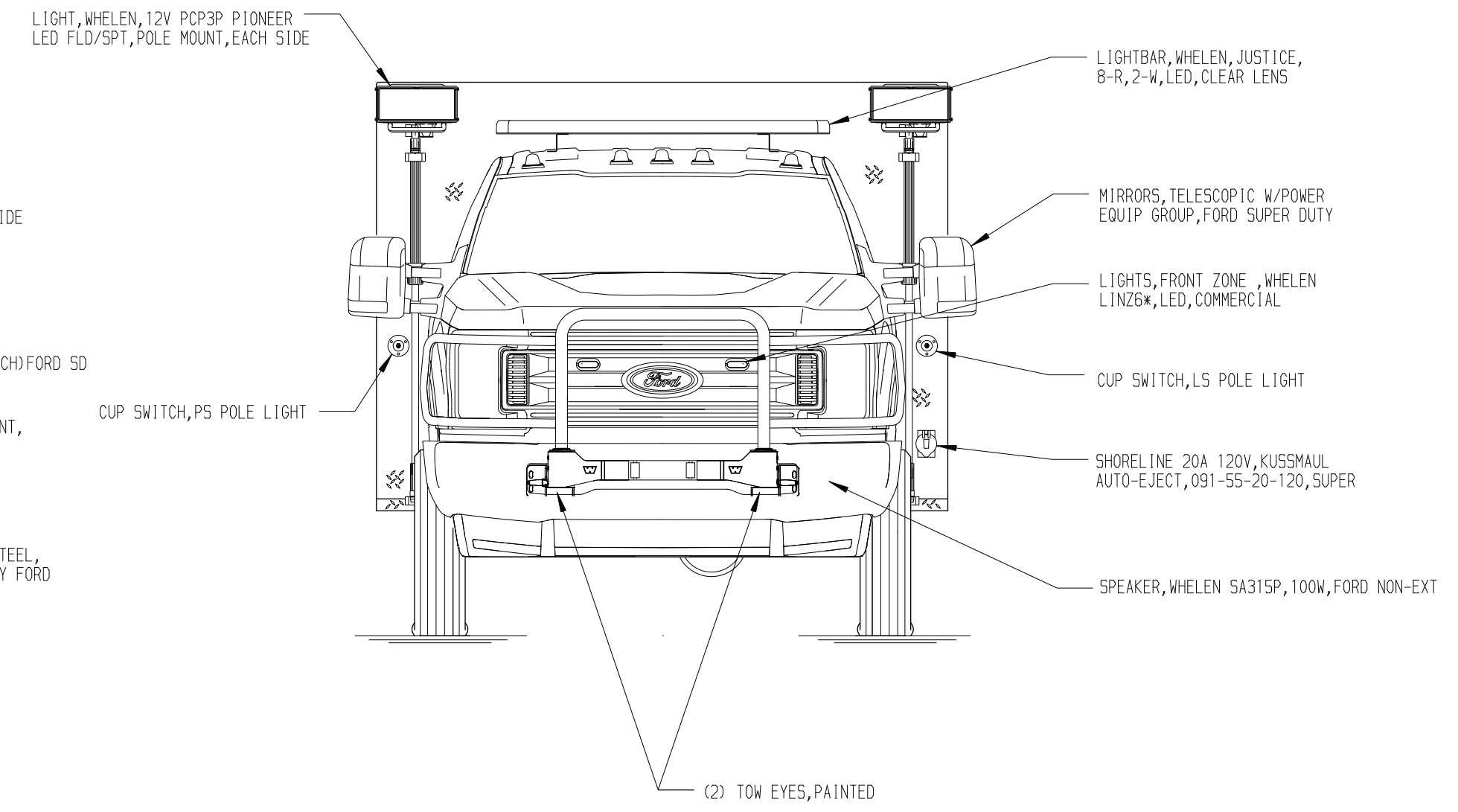
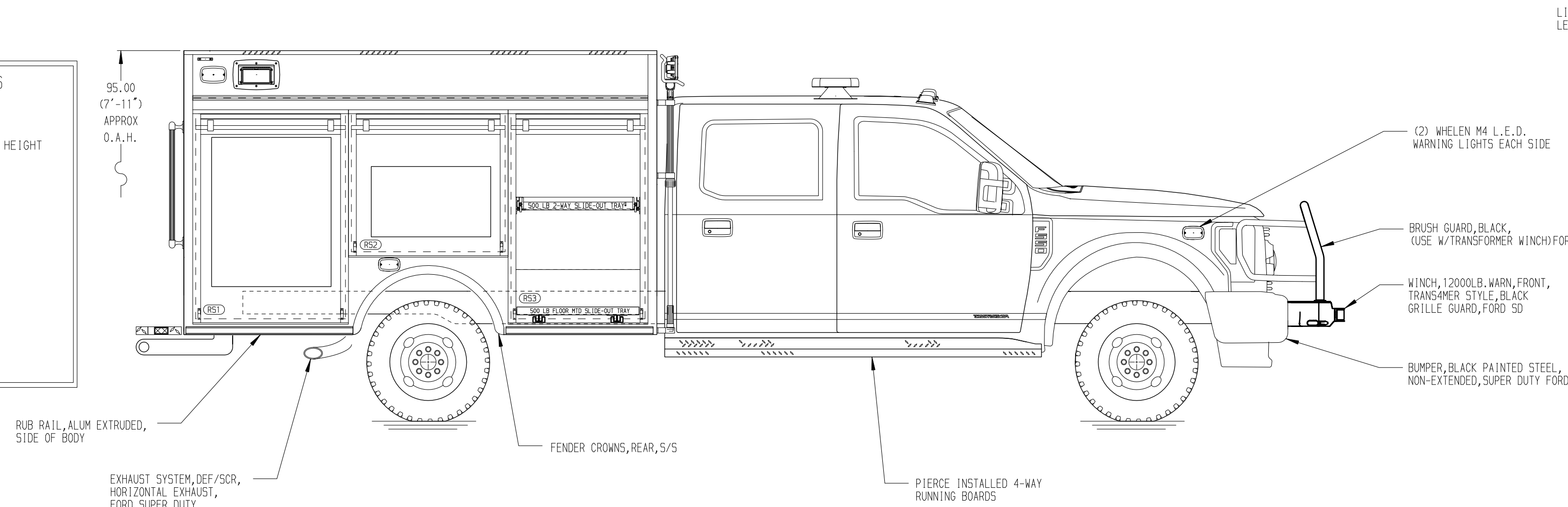


**PASSENGER'S SIDE COMPARTMENTS CONTAIN THE FOLLOWING:**

COMPARTMENT R51 CONTAINS:  
 - (1) TOOLBOARD, SWING-OUT, .188 ALUM, FULL HEIGHT WITH ADJ TRACKS FRONT & BACK

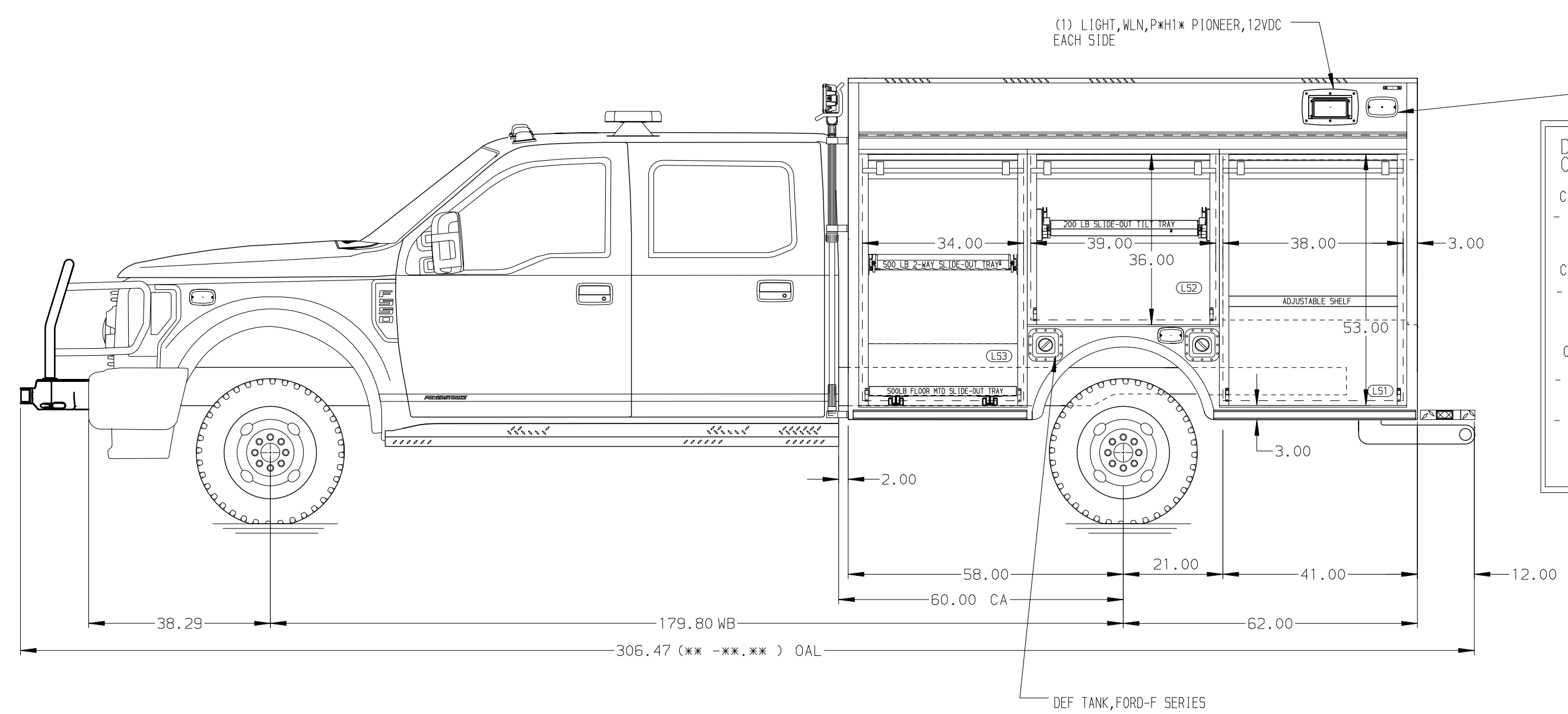
COMPARTMENT R52 CONTAINS:  
 - (1) TOOLBOARD, SWING-OUT, .188 ALUM WITH ADJ TRACKS FRONT & BACK

COMPARTMENT R53 CONTAINS:  
 - (1) TRAY, SLIDE OUT, TWO WAY, TRANSVERSE COMPT, ADJUSTABLE HEIGHT, 500# CAPACITY  
 - (1) TRAY, FLOOR MOUNTED, SLIDE-OUT, 500LB, 2 SIDES



**REAR COMPARTMENT R1 CONTAINS THE FOLLOWING:**

COMPARTMENT B1 CONTAINS:  
 - (1) TRAY, SLIDE-OUT, FULL DEPTH B1 COMPT ADJUSTABLE HEIGHT, 500 LB CAPACITY  
 - (1) TRAY, FLOOR MOUNTED, SLIDE-OUT, 500LB, 3 SIDES

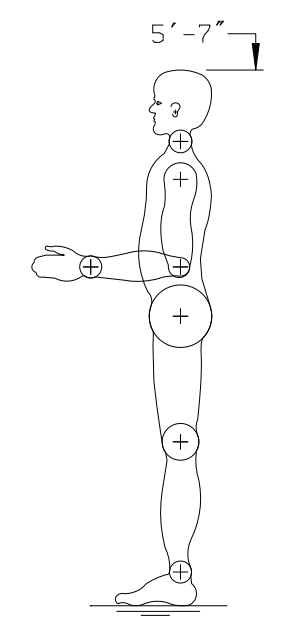
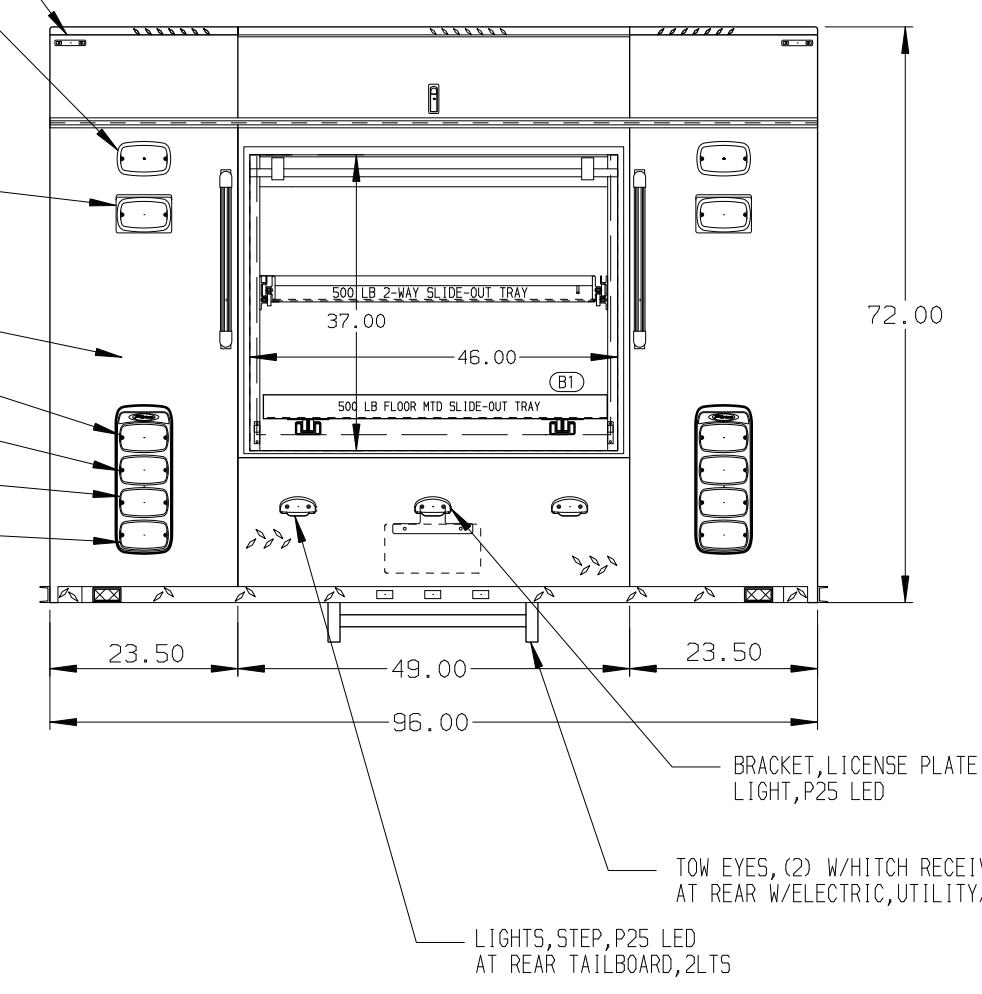


**DRIVER'S SIDE COMPARTMENTS CONTAIN THE FOLLOWING:**

COMPARTMENT L51 CONTAINS:  
 - (1) SHELF, ADJUSTABLE, 500LB CAP. STD DEPTH COMPT

COMPARTMENT L52 CONTAINS:  
 - (1) TRAY, SLIDE OUT, TILT 30°, STD DEPTH COMPT, 200# CAPACITY

COMPARTMENT L53 CONTAINS:  
 - (1) TRAY, SLIDE OUT, TWO WAY, TRANSVERSE COMPT, ADJUSTABLE HEIGHT, 500# CAPACITY  
 - (1) TRAY, FLOOR MOUNTED, SLIDE-OUT, 500LB, 2 SIDES



**ALUMINUM BODY**

**NOTE**  
 DIMENSIONS SHOWN ARE APPROXIMATE AND ARE SUBJECT TO MINOR DEVIATIONS AS MAY OCCUR OR BE NECESSARY IN CONSTRUCTION. MINOR DETAILS NOT SHOWN.

		JOB NO.	34161
		DATE	SCALE 1:24
<b>Pierce</b> MANUFACTURING INC. BRADENTON, FLORIDA		10JUN20	DRAWN BY JLA
		17JUN20	CHK'D BY RWI
TITLE LIGHT RESCUE 10' BODY FOR LAKE GEORGE FIRE PROTECTION DISTRICT LAKE GEORGE, COLORADO		SHEET NO.	SHEET SIZE
DRWG. NO. 34161AD		1 OF 1	D

REV.	DATE	BY	CHK'D
1	13AUG20	CRH	AJA
2	11JUN20	JLA	RWI