

**RIGHT SIDE COMPARTMENTS CONTAIN THE FOLLOWING:**

**COMPARTMENT RS1 CONTAINS:**

- (1) ELECTRIC CORD REEL WITH 150' OF 10/3 YELLOW CORD
- (1) VERTICAL COMPARTMENT DIVIDER
- (1) HORIZONTAL FLOOR EXTENSION
- (1) STD DEPTH ADJ SHELF
- (1) 1/2 DEPTH ON-SCENE SLIDE OUT TRAY WITH TOOLBOARD
- (4) SCBA BRACKETS

**COMPARTMENT RS2 CONTAINS:**

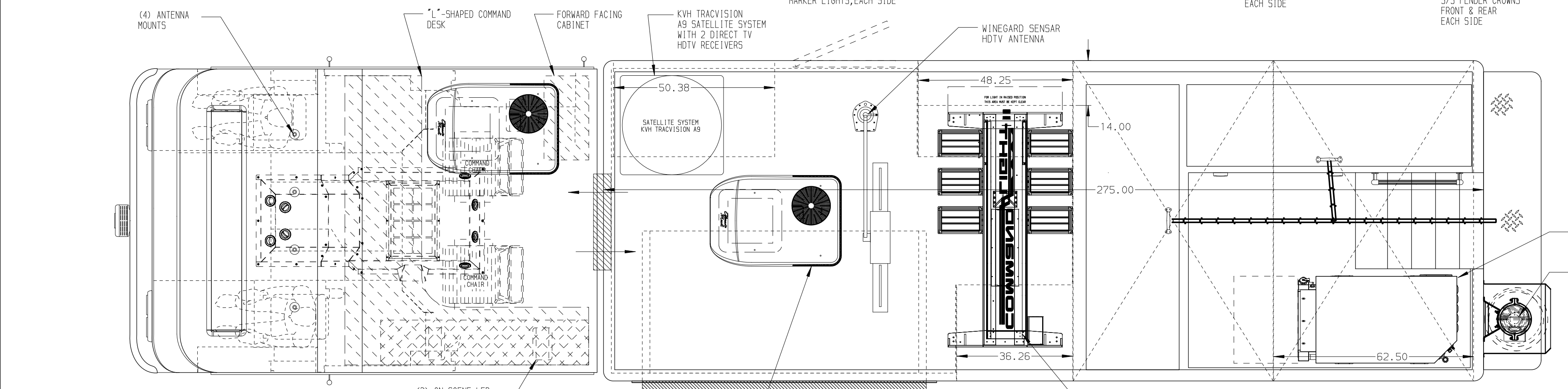
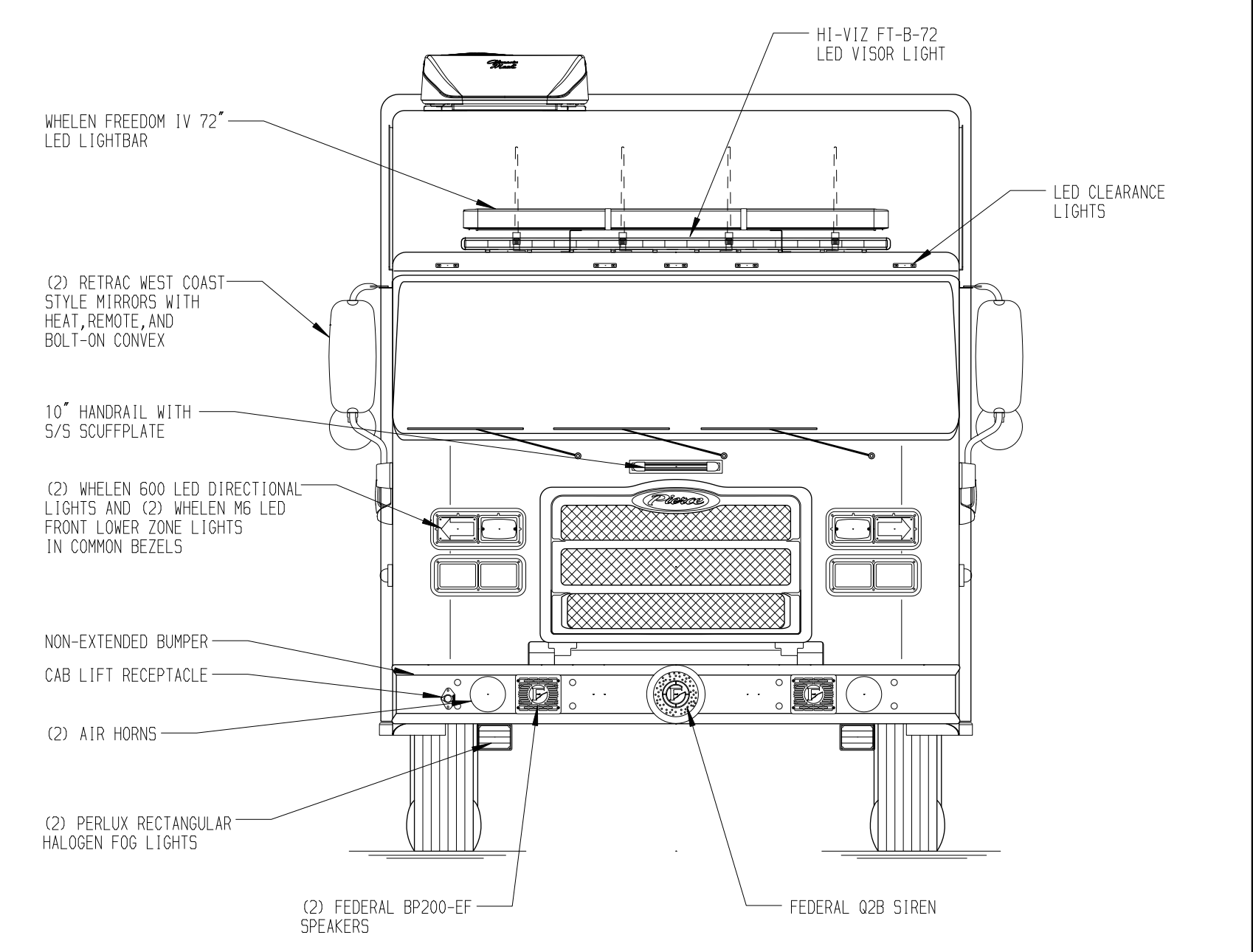
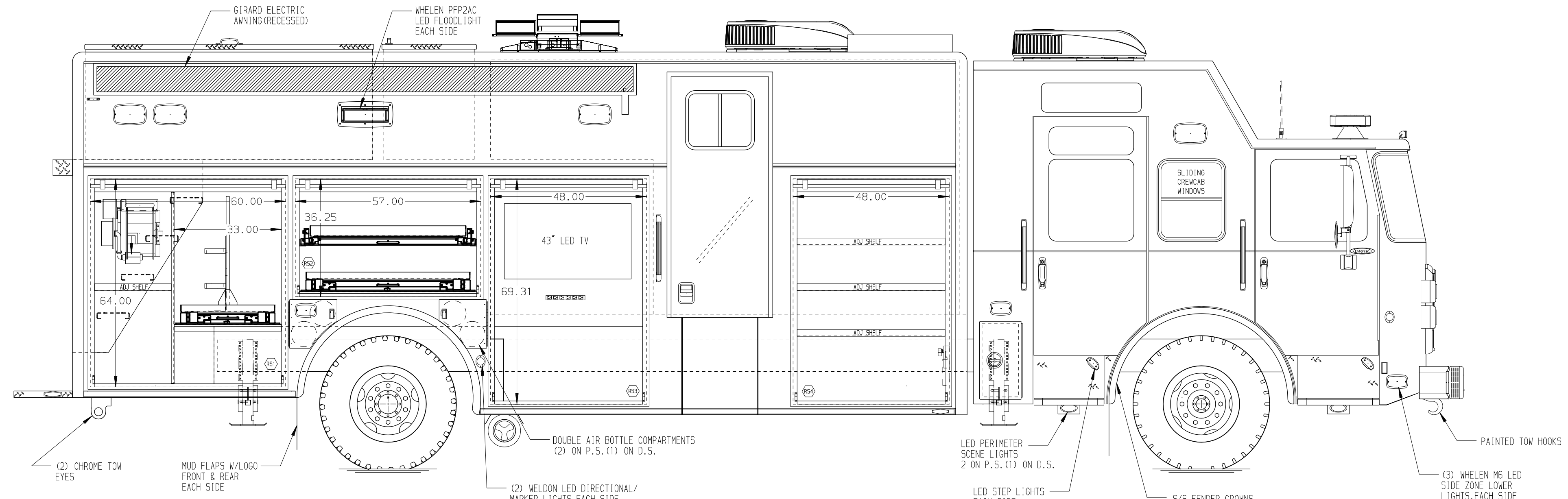
- (1) 1/2 DEPTH ON-SCENE SLIDE OUT/TILT TRAY
- (1) 2-WAY FLOOR MTD ON-SCENE SLIDE OUT TRAY

**COMPARTMENT RS3 CONTAINS:**

- (1) 43" LED TV
- (1) 15A, 120V 6-PLACE RECEPTACLE

**COMPARTMENT RS4 CONTAINS:**

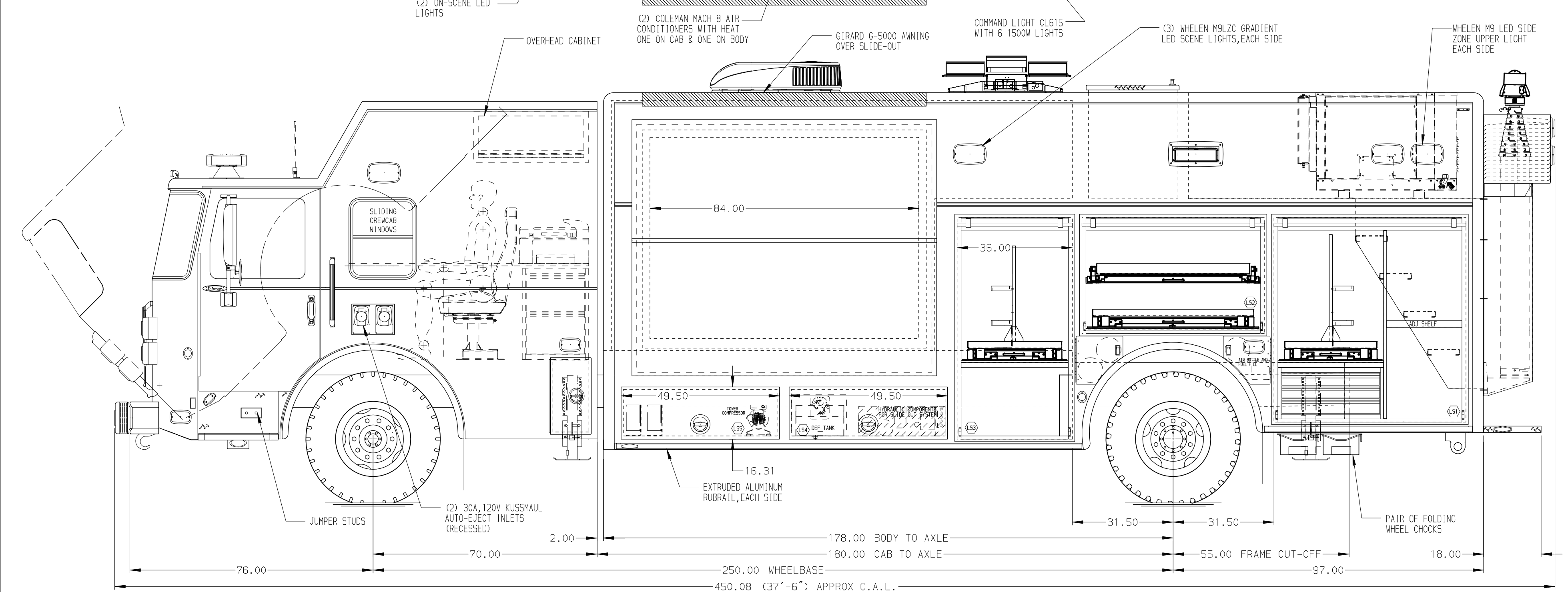
- (1) CAB LIFT CONTROLLER
- (3) STD DEPTH ADJ SHELVES
- (1) COMMAND LIGHT CONTROLLER



**REAR COMPARTMENT CONTAINS THE FOLLOWING:**

**COMPARTMENT B1 CONTAINS:**

- (1) 1/2 DEPTH ON-SCENE SLIDE OUT/TILT TRAY
- (1) 2-WAY FLOOR MTD ON-SCENE SLIDE OUT TRAY



**LEFT SIDE COMPARTMENTS CONTAIN THE FOLLOWING:**

**COMPARTMENT LS1 CONTAINS:**

- (1) VERTICAL COMPARTMENT DIVIDER
- (1) HORIZONTAL FLOOR EXTENSION
- (1) STD DEPTH ADJ SHELF
- (1) 1/2 DEPTH ON-SCENE SLIDE OUT TRAY WITH TOOLBOARD
- (1) 3-DRAWER C-TECH CABINET
- (4) SCBA BRACKETS

**COMPARTMENT LS2 CONTAINS:**

- (1) 1/2 DEPTH ON-SCENE SLIDE OUT/TILT TRAY
- (1) 2-WAY FLOOR MTD ON-SCENE SLIDE OUT TRAY WITH TOOLBOARD

**COMPARTMENT LS3 CONTAINS:**

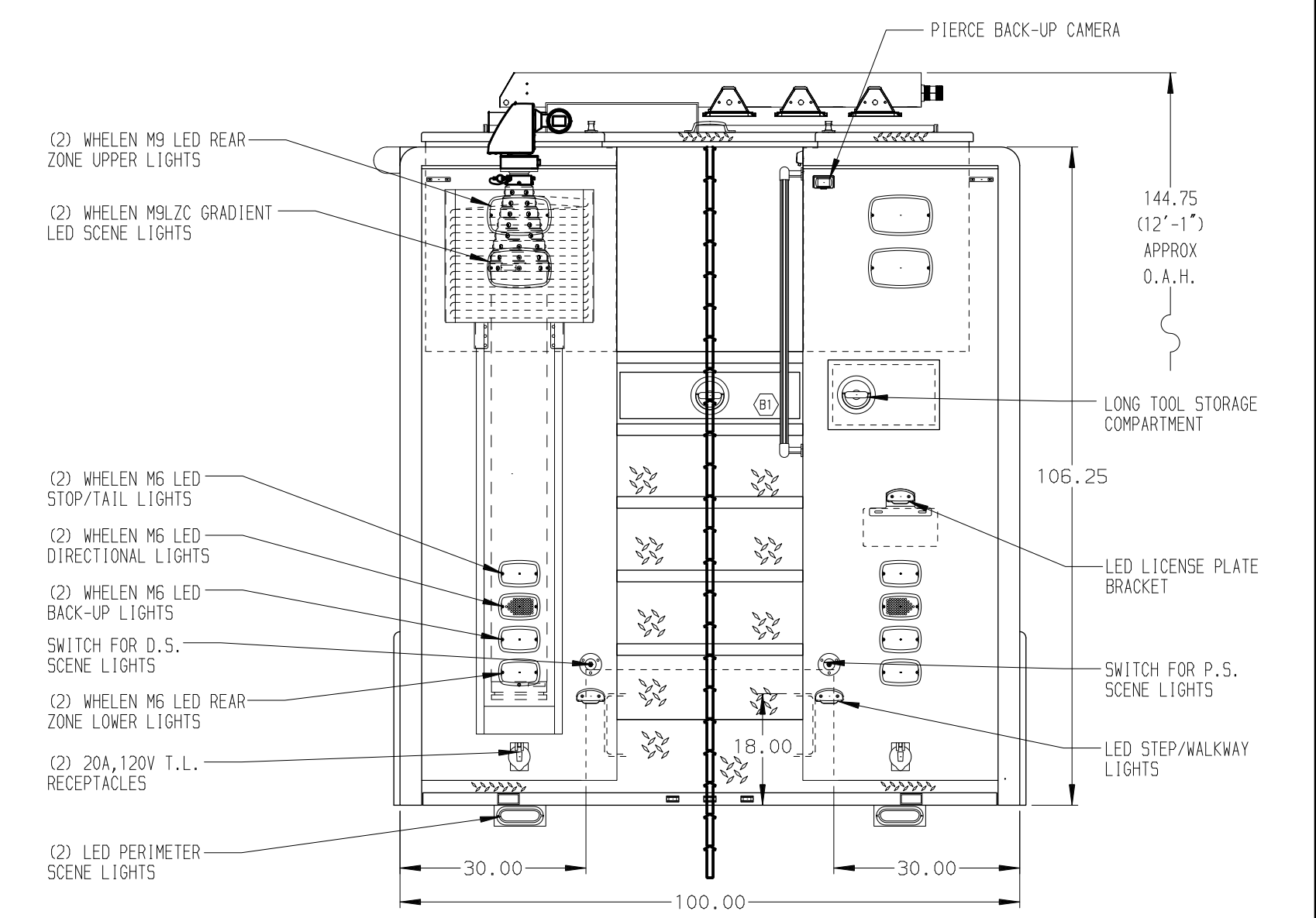
- (1) HORIZONTAL FLOOR EXTENSION
- (1) STD DEPTH FLOOR MTD ON-SCENE SLIDE OUT TRAY WITH TOOLBOARD
- (2) SCBA BRACKETS

**COMPARTMENT LS4 CONTAINS:**

- (1) 10 GALLON DEF FLUID TANK

**COMPARTMENT LS5 CONTAINS:**

- (2) PD2180 BATTERY CHARGERS/POWER CONVERTERS
- (1) CAMERA MAST AIR COMPRESSOR
- (1) BRAKE SYSTEM COMPRESSOR



**NOTE:**

DIMENSIONS SHOWN ARE APPROXIMATE AND ARE SUBJECT TO MINOR DEVIATIONS AS MAY OCCUR OR BE NECESSARY IN CONSTRUCTION. MINOR DETAILS NOT SHOWN.

- NOTES:**
- ONSPOT AUTOMATIC TIRE CHAINS
  - FLOOR IN CAB AND CREW CAB TO BE PADDED RUBBER
  - SEFCOM 4-POSITION INTERCOM SYSTEM
  - 616 FOOT AUTOMATIC LEVELING SYSTEM
  - PULL STRAPS ON ALL BODY ROLL-UP DOORS
  - S/S GUARDS ON ALL BODY ROLL-UP DOORS
  - PIERCE LED STRIP LIGHTS IN ALL BODY AND HATCH COMPARTMENTS

(SIDE ROLL AND FRONTAL IMPACT PROTECTION)

CLEAR DOOR WIDTH KEY		REV	DATE	BY	CH
AMDR ROLL UP DOORS:	-2 1/4"				
GORTITE ROLL UP DOORS:	-2 1/2"				
PIERCE DOUBLE LAP DOORS:	-4 1/4"	27JAN20	DHE	CDK	
PIERCE LIFT-UP LAP DOORS:	-1 1/2"	06DEC19	DHE	CHR	
(EX: 60" F-F - 2 1/4" = 57 3/4" CLEAR)		11NOV19	JJF	DHE	
(F-F) = FRAME TO FRAME					

		JOB NO.	34130
		SCALE	1:24
TITLE	HEAVY DUTY RESCUE WALKIN/NON-WALKIN COMBO	DATE	170CT19
FOR	US ARMY - CAMP EDWARDS	CHECKED BY	CDK
	TOM RYBA	DWG NO.	34130AD-SH1
		SHEET SIZE	D
		SHEET NO.	1 OF 1