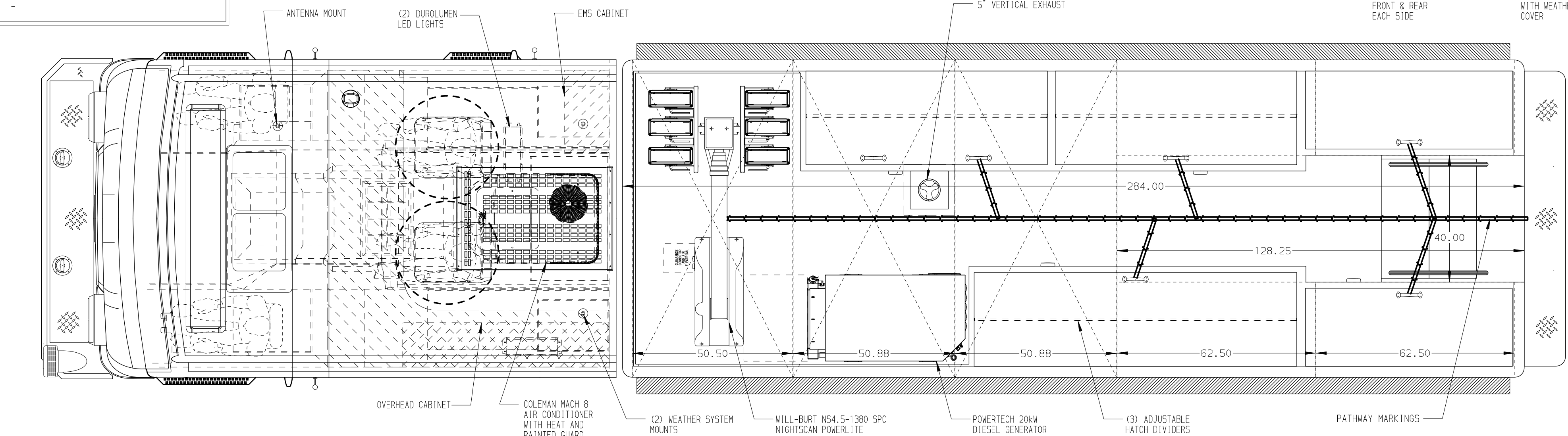
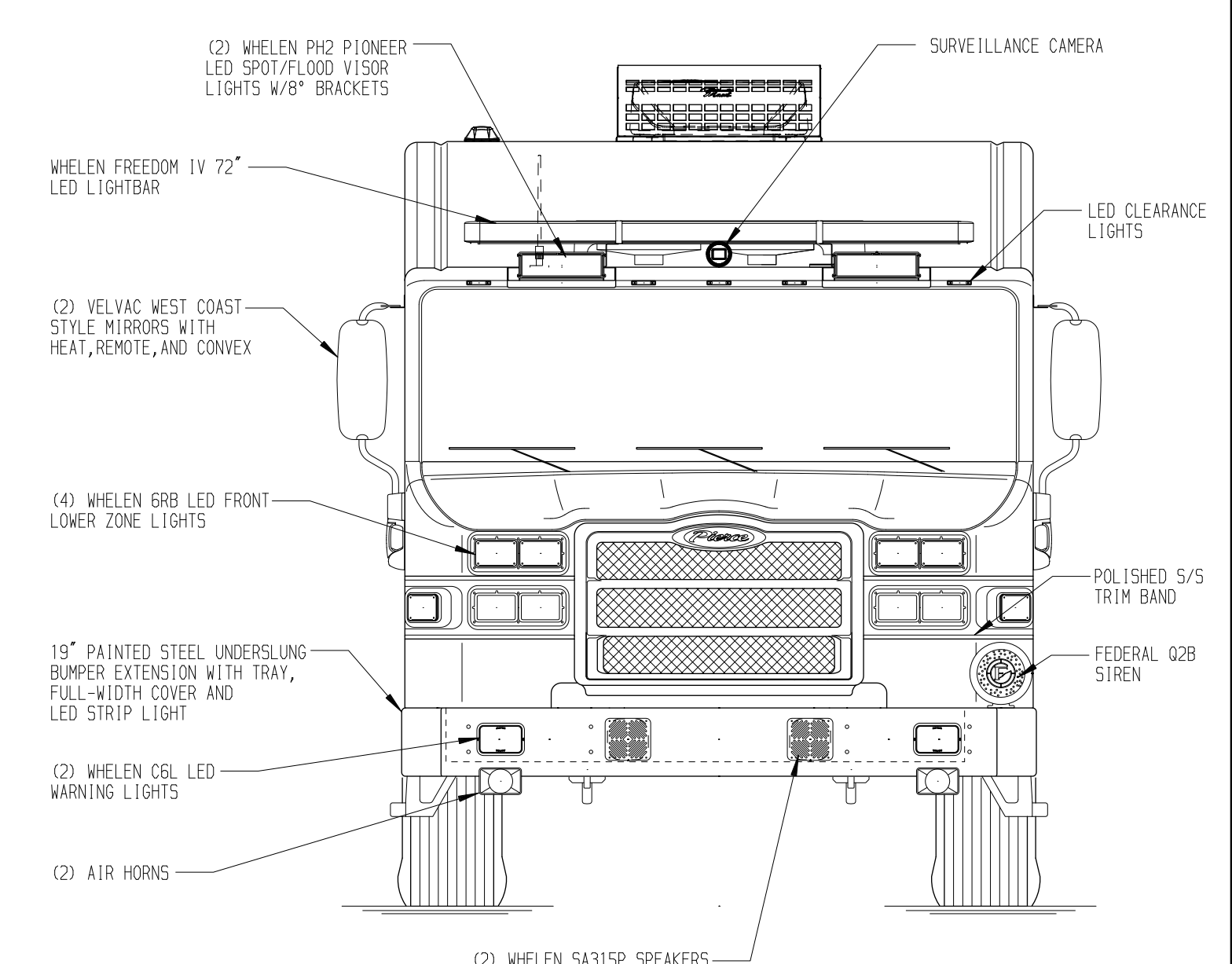
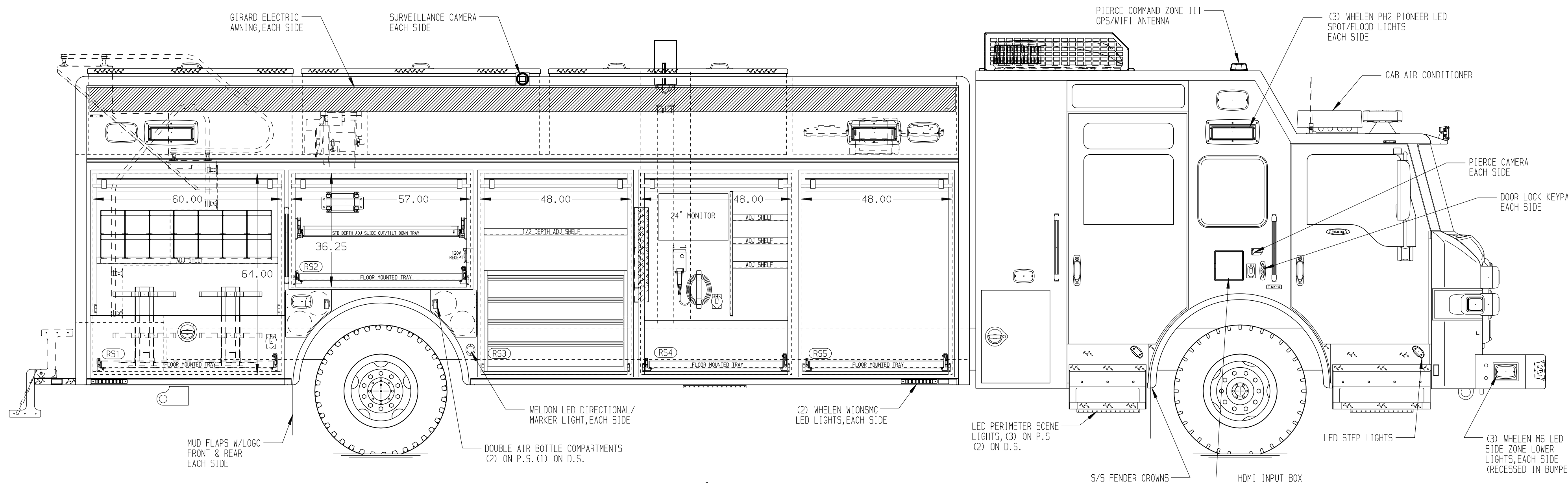


RIGHT SIDE COMPARTMENTS CONTAIN THE FOLLOWING:

- COMPARTMENT RS1 CONTAINS:
 - (1) FLOOR MOUNTED TRAY W/SIDE SLIDES
 - (2) ROTATING SCBA BRACKETS
 - (1) 20A, 120V DUPLEX RECEPTACLE
 - (1) STD DEPTH ADJ SLIDE OUT/TILT TRAY
 - (1) RACK FOR 14 SCBA BOTTLES
 - PEGBOARD ON FORWARD AND REARWARD WALLS
- COMPARTMENT RS2 CONTAINS:
 - (1) FLOOR MOUNTED TRAY W/SIDE SLIDES
 - (1) STD DEPTH ADJ SLIDE OUT/TILT TRAY
 - (1) 20A, 120V DUPLEX RECEPTACLE
 - (1) ELECTRIC CORD REEL WITH 200' OF 12/3 YELLOW CORD
- COMPARTMENT RS3 CONTAINS:
 - (1) 4-DRAWER C-TECH CABINET
 - (1) 1/2 DEPTH ADJ SHELF
- COMPARTMENT RS4 CONTAINS:
 - (1) 5/5 DESK TOP
 - (1) FLOOR MOUNTED TRAY W/SIDE SLIDES
 - (3) 1/2 DEPTH ADJ SHELVES
 - (1) VERTICAL COMPARTMENT DIVIDER
 - (1) VERTICAL REAR WALL DIVIDER
 - (1) 24" MONITOR
 - (1) CIRCUIT BREAKER PANEL
 - (1) SUB FEED BOX
 - (1) GENERATOR METER PANEL
 - (1) LIGHT TOWER CONTROLLER
 - (1) 20A, 120V DUPLEX RECEPTACLE
- COMPARTMENT RS5 CONTAINS:
 - (1) FLOOR MOUNTED TRAY W/SIDE SLIDES



REAR COMPARTMENT CONTAINS THE FOLLOWING:

COMPARTMENT B1 CONTAINS:

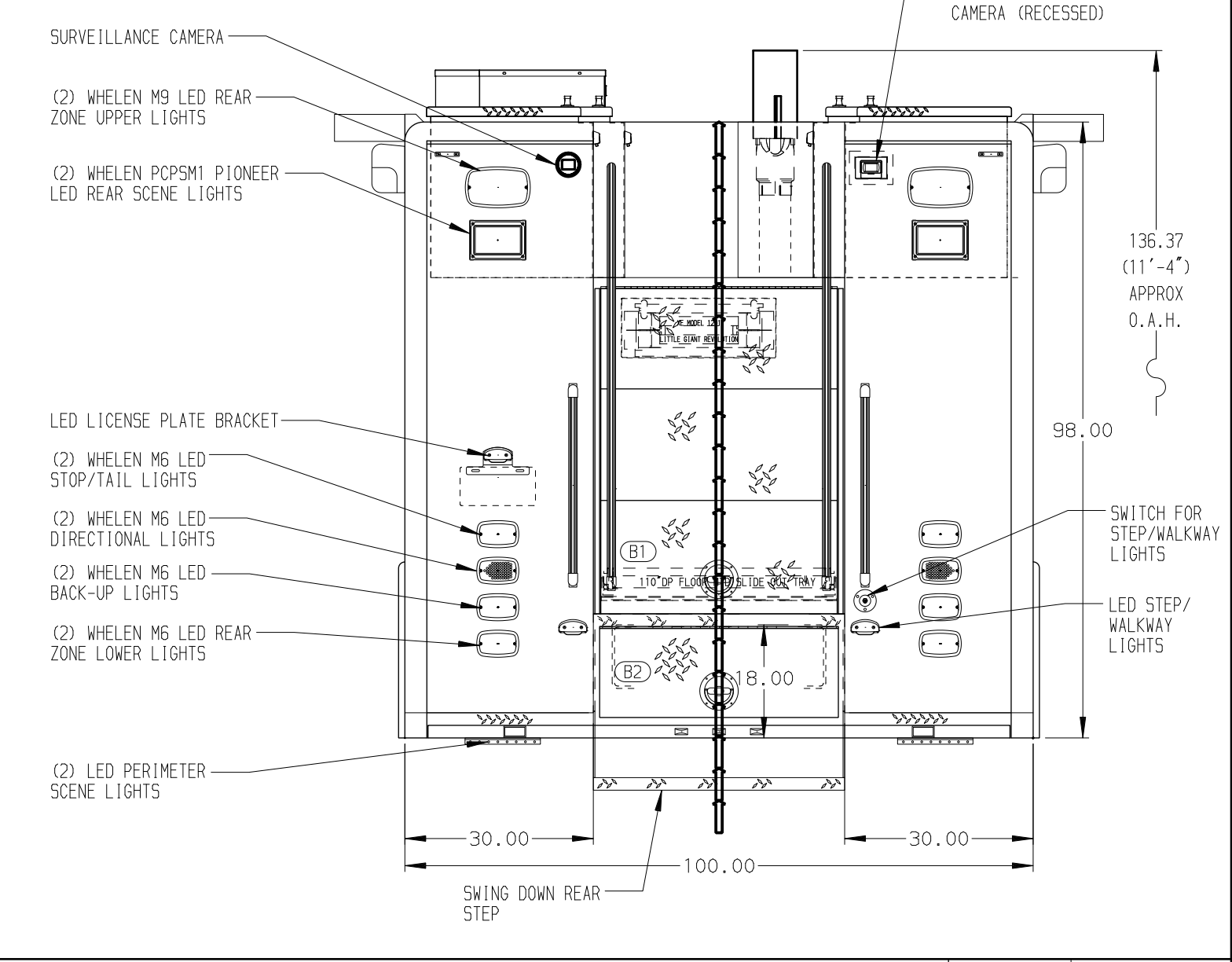
- (1) RACK FOR LITTLE GIANT LADDER
- (1) 110"DP FLOOR MOUNTED SLIDE OUT TRAY

COMPARTMENT B2 CONTAINS:

-

LEFT SIDE COMPARTMENTS CONTAIN THE FOLLOWING:

- COMPARTMENT LS1 CONTAINS:
 - (1) FLOOR MOUNTED TRAY W/SIDE SLIDES
 - (2) STD DEPTH ADJ SHELVES
 - (4) POLY TOOL BOXES
 - (1) 20A, 120V DUPLEX RECEPTACLE
- COMPARTMENT LS2 CONTAINS:
 - (2) STD DEPTH ADJ SLIDE OUT/TILT TRAYS
- COMPARTMENT LS3 CONTAINS:
 - (1) FLOOR MOUNTED TRAY W/SIDE SLIDES
 - (1) 3/4 DEPTH ADJ SLIDE OUT TRAY
- COMPARTMENT LS4 CONTAINS:
 - (1) FLOOR MOUNTED TRAY W/SIDE SLIDES
 - (1) HORIZONTAL FLOOR EXTENSION
 - (2) 1/2 DEPTH ADJ SLIDE OUT TRAYS
- COMPARTMENT LS5 CONTAINS:
 - (1) PROGRESSIVE DYNAMICS CHARGER
 - (2) 1/2 DEPTH ADJ SLIDE OUT/TILT TRAYS
 - (1) FLOOR MOUNTED TRAY W/SIDE SLIDES



NOTE
DIMENSIONS SHOWN ARE APPROXIMATE AND ARE SUBJECT TO MINOR DEVIATIONS AS MAY OCCUR OR BE NECESSARY IN CONSTRUCTION. MINOR DETAILS NOT SHOWN.

- NOTES:**
- PIERCE LED LIGHTS IN ALL BODY AND HATCH COMPARTMENTS
 - TURTLIE TILE ON COMPARTMENT AND HATCH COMPARTMENT FLOORS AND SHELVES AND TRAYS

MAXIMUM O.A.H. 13'-0"
MAXIMUM O.A.L. 39'-0"

SIDE ROLL AND FRONTAL IMPACT PROTECTION

CLEAR DOOR WIDTH KEY		REV	DATE	BY	CH	CHASSIS DATA
AMOR ROLL UP DOORS:	-2 1/4"	10JAN20	DHE	CDK	MAKE	PIERCE
CORTLIE ROLL UP DOORS:	-2 1/2"	25NOV19	DHE	CDK	MAKE	PIERCE
PIERCE DOUBLE LIP DOORS:	-4 1/4"	21NOV19	DHE	CDK	MAKE	PIERCE
PIERCE LIFT-UP LAP DOORS:	-1 1/2"	13SEP19	DHE	CDK	MODEL	VXFR8420
(EX: 60" F-F - 2 1/4" = 57 3/4" CLEAR)						
(F-F) = FRAME TO FRAME						

Pierce MANUFACTURING INC.		JOB NO.	34102
		SCALE	1:24
		DATE	
TITLE	HEAVY DUTY RESCUE NON-WALK-IN	DRAWN BY	DHE
FOR	FORT BEND COUNTY FORT BEND, TX	CHECKED BY	CDK
		SHEET SIZE	D
		SHEET NO.	1 OF 1
		DWG NO.	34102AD
		CORY FRANKUM	