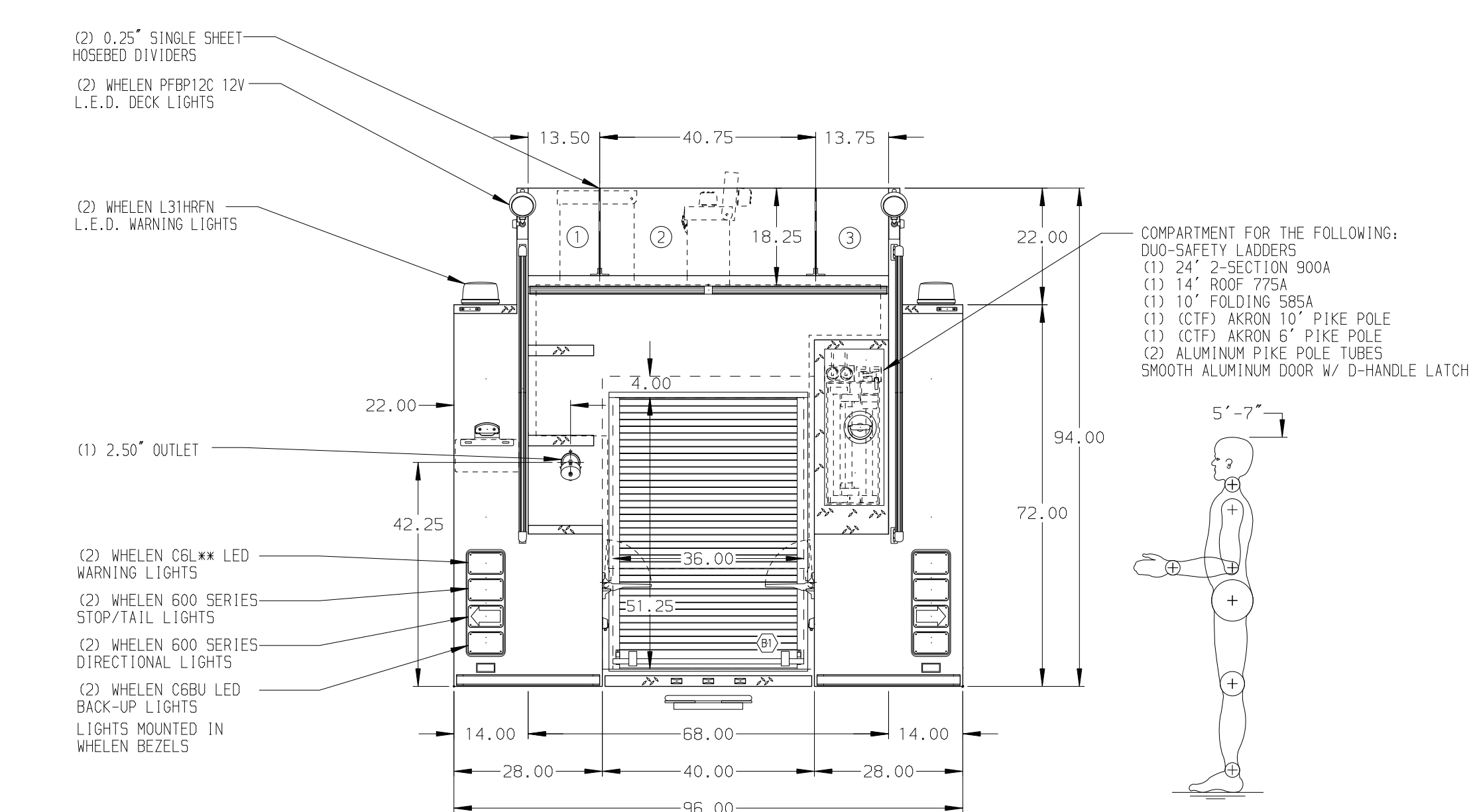


- HOSEBED CAPACITIES
- ① 500' OF 2.50" D.J. HOSE
  - ② 1000' OF 5.00" D.J. HOSE
  - ③ 500' OF 2.50" D.J. HOSE



ALUMINUM BODY

NOTE  
DIMENSIONS SHOWN ARE APPROXIMATE AND ARE SUBJECT TO MINOR DEVIATIONS AS MAY OCCUR OR BE NECESSARY IN CONSTRUCTION. MINOR DETAILS NOT SHOWN.

				CHASSIS DATA	TITLE	1500-D-1000P, 975 GAL WATER W/ 25 GAL FOAM, 152" PUMPER BODY, SIDE CONTROL, LADDERS BESIDE TANK	JOB NO.	33281
				MAKE	FOR	PIERCE FIELD UNIT BRADENTON, FLORIDA	SCALE	1:24
				MODEL	DWG NO.	33281AD	DATE	
21DEC18	JLA	CAG		SABER FR	REV		DRAWN BY	JAF
							CHECKED BY	CAG
							SHEET SIZE	D
							SHEET NO.	1 OF 1