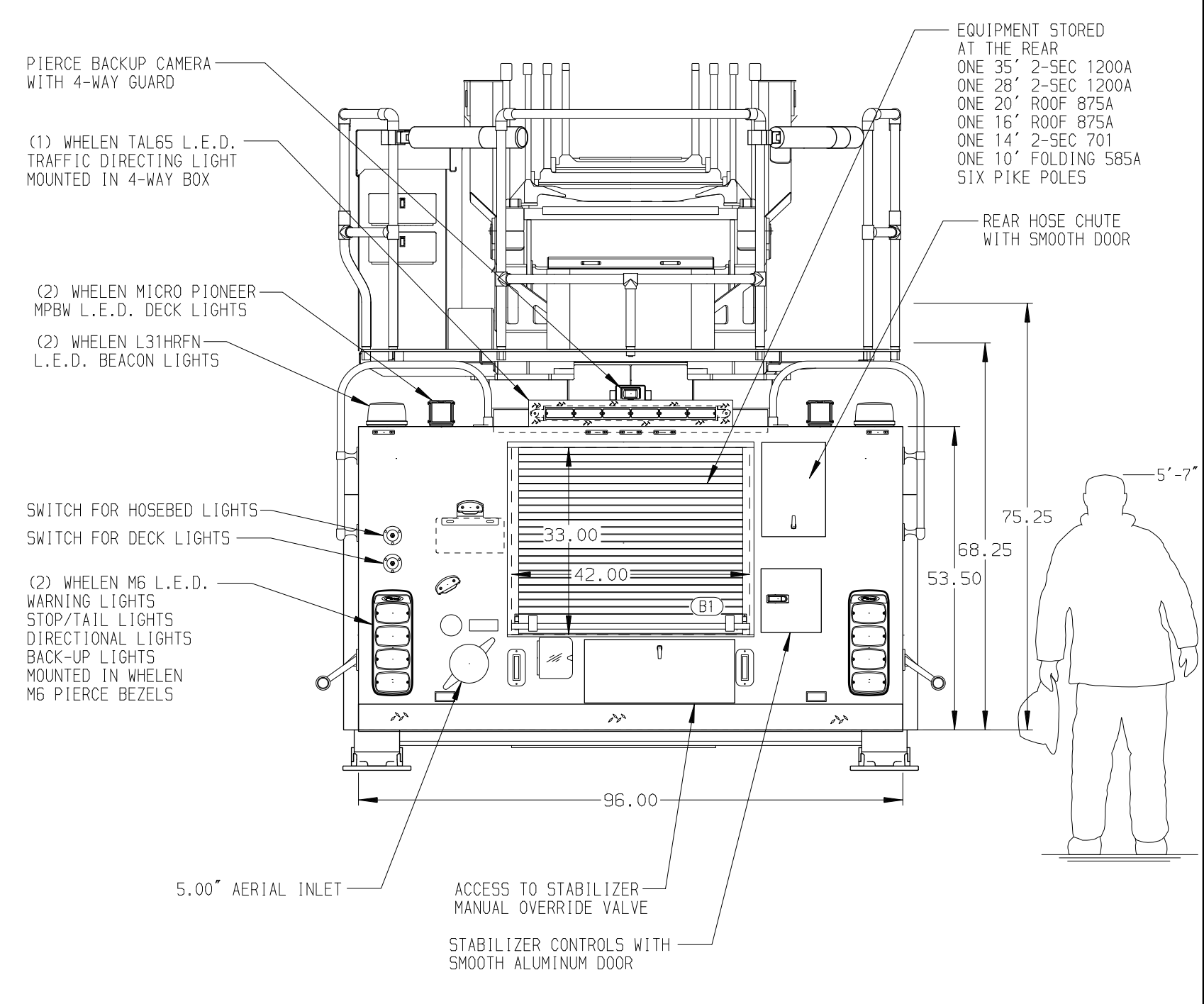
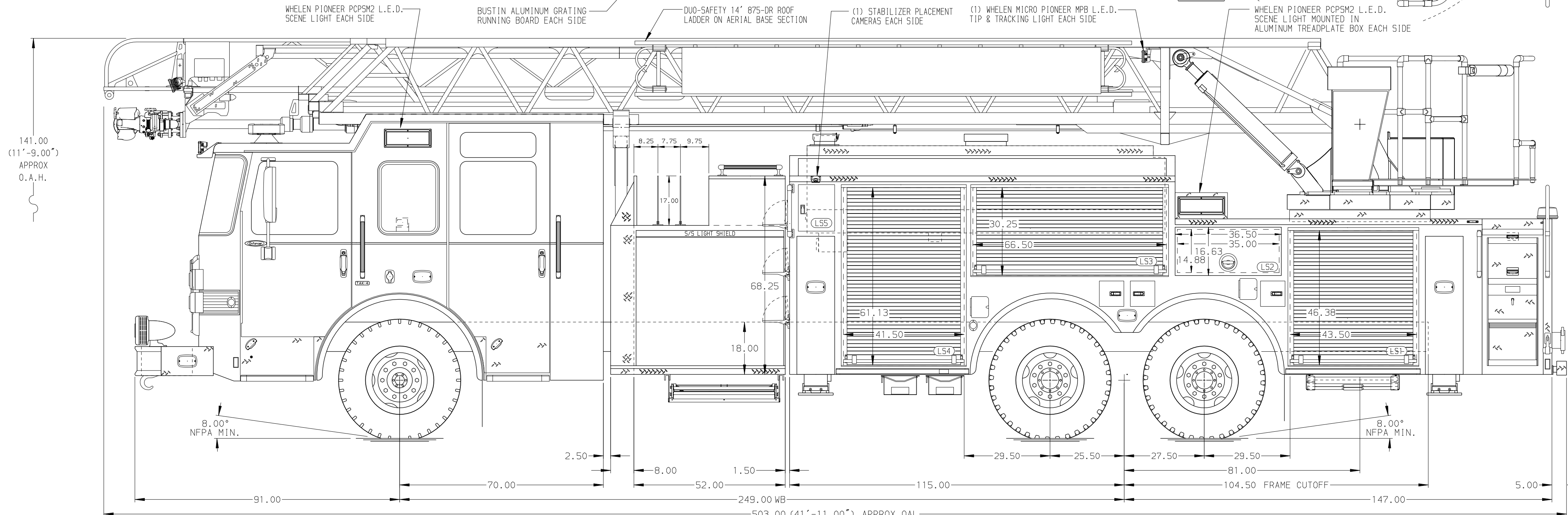


BODY 107' Tandem Axle Platform Aluminum Body COMPT, DRIVER SIDE FRONT FH/FD RollUp w/o Chute COMPT, DRIVER SIDE REAR FH/FD RollUp and Lift-up rearward COMPT, PASSENGER SIDE FRONT Full Height RollUp Forward COMPT, PASSENGER SIDE REAR Full Height RollUp and Liftup Rearward	WATER TANK 500 Gallon Notched Poly Water Tank Foam System Plumbing for Future Husky Foam System Foam Cell 20 Gallon Foam Cell, Non-Reduced Water
---	--



CHASSIS Enforcer Chassis ENGINE 525 HP Detroit DD13 Engine	CAB 7010 Enforcer Cab BUMPER 22" Extended Stainless Steel	AXLE, FRONT, CUSTOM 22,800 Lb TAK-4 Axle AXLE, REAR 44,000 Lb Meritor Axle	TRANSMISSION Allison 5th Gen, 4500 EV5 P	PUMPHOUSE 52" Control Zone Side Mount PUMP 2000 GPM Waterous CSU	CROSSLAYS, 1.50" (2) 1.50" Standard Capacity CROSSLAYS, 2.50" (1) 2.50" Standard Capacity	SPEEDLAYS Speedlays Not Required GENERATOR Generator Not Required	SAFETY Side Roll and Frontal Impact Protection
---	--	---	--	---	--	--	---

Pierce MANUFACTURING INC.		JOB NO.	33211
		SCALE	DATE
		1:24	190CT18
		DRAWN BY	LWE
		CHECKED BY	THS
		TITLE	107' ASCENDANT AERIAL LADDER AND BODY ASSEMBLY
		FOR	PIERCE FIELD UNIT APPLETON, WISCONSIN
		DWG NO.	33211AD
		SHEET SIZE	SHEET NO.
		D	1 OF 1

NOTE DIMENSIONS SHOWN ARE APPROXIMATE AND ARE SUBJECT TO MINOR DEVIATIONS AS MAY OCCUR OR BE NECESSARY IN CONSTRUCTION. MINOR DETAILS NOT SHOWN.	1. 21.00" LIMITED RETRACTION REQUIRED 2. ONE 1.50" OUTLET WITH 2.00" PIPING AND SHIVEL LOCATED IN CENTER BUMPER TRAY 3. SHORELINE RECEPTACLE WITH KUSSMALL SUPER AUTO-EJECT LOCATED ON DRIVER SIDE OF THE CAB 4. AIR INLET WITH DISCONNECT COUPLING IN THE DRIVER SIDE STEPWELL 5. BATTERY CHARGER LOCATED BEHIND DRIVER SEAT 6. BATTERY CHARGER INDICATOR BEHIND DRIVER'S SEAT DISPLAYED THROUGH WINDOW 7. FIVE ADJUSTABLE SHELVES IN SHOP ORDER 8. FOUR FLOOR MOUNTED SLIDE-OUT TRAYS IN COMPARTMENTS PER SHOP ORDER 9. ONE SWING-OUT TOOL BOARD WITH PEGBOARD PATTERN IN COMPARTMENT PER SHOP ORDER	10. 1500 GPM HIGH FLOW WATERWAY 11. 3.00" RAISED AERIAL PEDESTAL
--	--	---

CHASSIS DATA	TITLE	107' ASCENDANT AERIAL LADDER AND BODY ASSEMBLY
MAKE	FOR	PIERCE FIELD UNIT APPLETON, WISCONSIN
MODEL	DWG NO.	33211AD
REV	DATE	BY
21APR20	LWE	CR1
29NOV18	LWE	THS