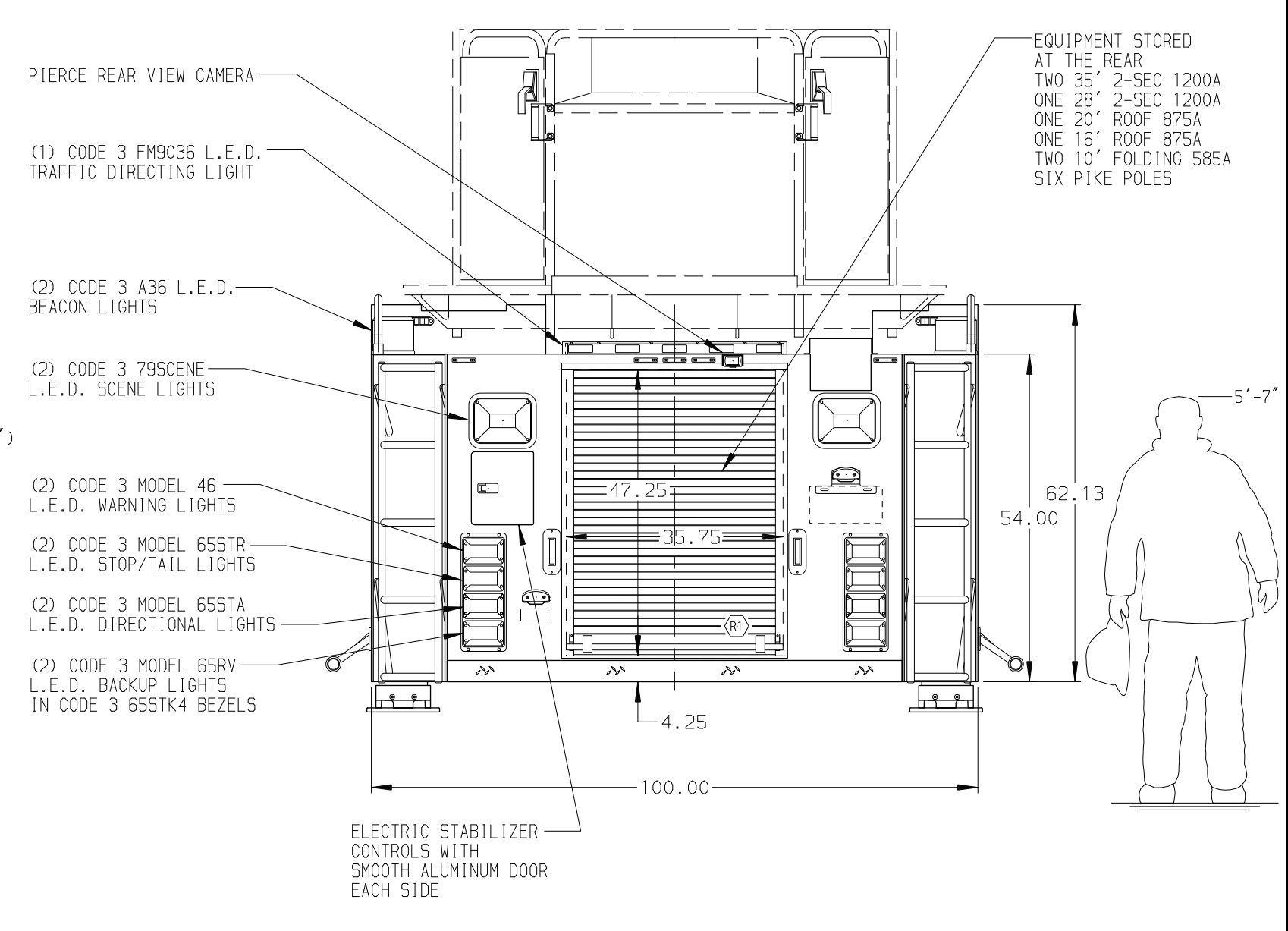
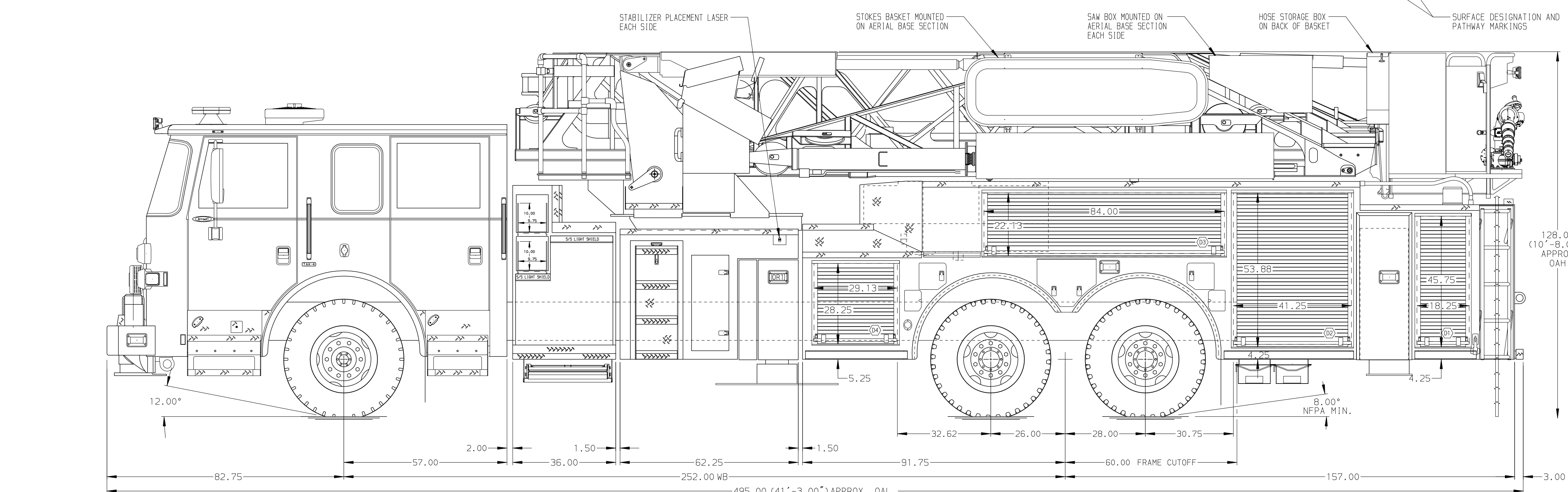


BODY 100' Ascendant Aerial Tower Alum Body COMPT, DRIVER SIDE Full Height RollUp doors COMPT, PASSENGER SIDE Full Height RollUp doors	WATER TANK 300 Gallon Water Tank Foam System Foam System Not Required Foam Cell Foam Cell Not Required
---	--



CHASSIS Arrow XT Chassis ENGINE 525 HP DD13 Engine	CAB 5700 Arrow XT Cab BUMPER 13" Painted Aluminum Bumper	AXLE, FRONT, CUSTOM 22,800 Lb TAK-4 Axle AXLE, REAR 48,000 Lb Meritor Axle	TRANSMISSION Allison 5th Gen, 4000 EV5 P	PUMPHOUSE 36" Control Zone Side Mount PUMP Waterous, 2000 GPM	CROSSLAYS, 1.50" (2) 1.50" Standard Capacity CROSSLAYS, 2.50" 2.50" Crosslay Not Required	GENERATOR Generator Not Required	SAFETY Side Roll and Frontal Impact Protection	CUSTOMER APPROVAL APPROVED BY: _____ DATE: _____		JOB NO. 31614 SCALE 1:24 DATE DRAWN BY TKA 13APR18 CHECKED BY GRM 01MAY18 SHEET SIZE D SHEET NO. 1 OF 1
NOTE DIMENSIONS SHOWN ARE APPROXIMATE AND ARE SUBJECT TO MINOR DEVIATIONS AS MAY OCCUR OR BE NECESSARY IN CONSTRUCTION. MINOR DETAILS NOT SHOWN.										
1. SHORELINE RECEPTACLE WITH KUSSMAUL SUPER AUTO-EJECT LOCATED ON DRIVER SIDE OF THE CAB 2. AIR INLET WITH DISCONNECT COUPLING RECESSED IN THE DRIVER SIDE STEPPWELL 3. BATTERY CHARGER LOCATED PER SHOP ORDER 4. BATTERY CHARGE INDICATOR LOCATED ON THE DRIVER SIDE SEAT RISER 5. ADJUSTABLE SLIDE-OUT TRAYS LOCATED IN COMPARTMENTS PER SHOP ORDER 6. ADJUSTABLE SHELVES IN COMPARTMENTS PER SHOP ORDER 7. FLOOR MOUNTED SLIDE-OUT TRAYS IN COMPARTMENTS PER SHOP ORDER 8. NON-RAISED AERIAL PEDESTAL										