

RIGHT SIDE COMPARTMENTS CONTAIN THE FOLLOWING:

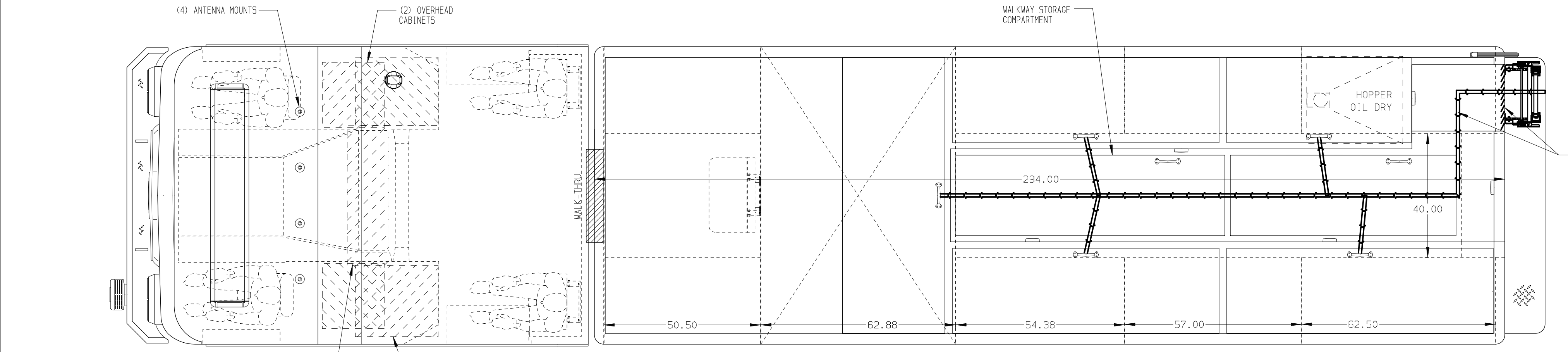
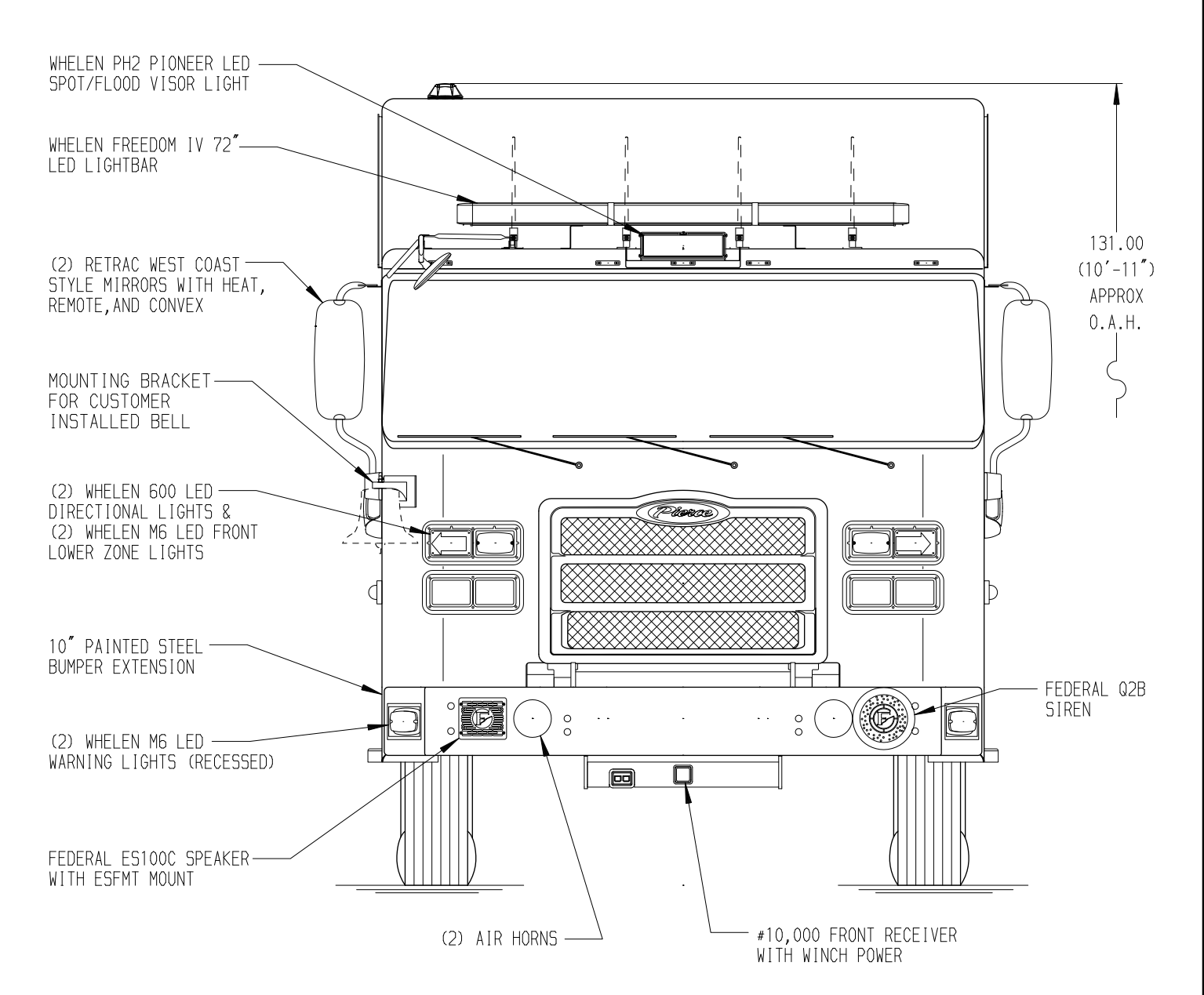
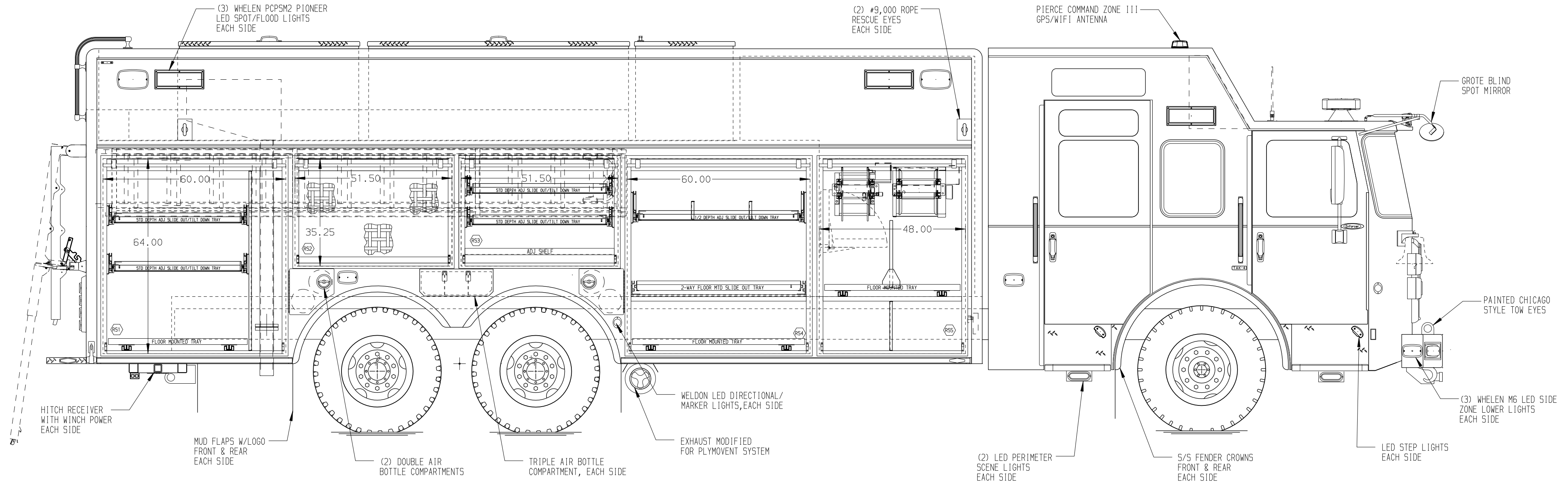
COMPARTMENT RS1 CONTAINS:
 - (2) STD DEPTH ADJ SLIDE OUT/TILT TRAYS
 - (1) FLOOR MOUNTED TRAY
 - (1) VERTICAL COMPARTMENT DIVIDER
 - (1) OIL DRY HOPPER

COMPARTMENT RS2 CONTAINS:
 - CARGO RETENTION NETTING
 - ANGLED FLOOR FOR CRIBBING

COMPARTMENT RS3 CONTAINS:
 - (1) STD DEPTH ADJ SHELF
 - (2) STD DEPTH ADJ SLIDE OUT/TILT TRAYS

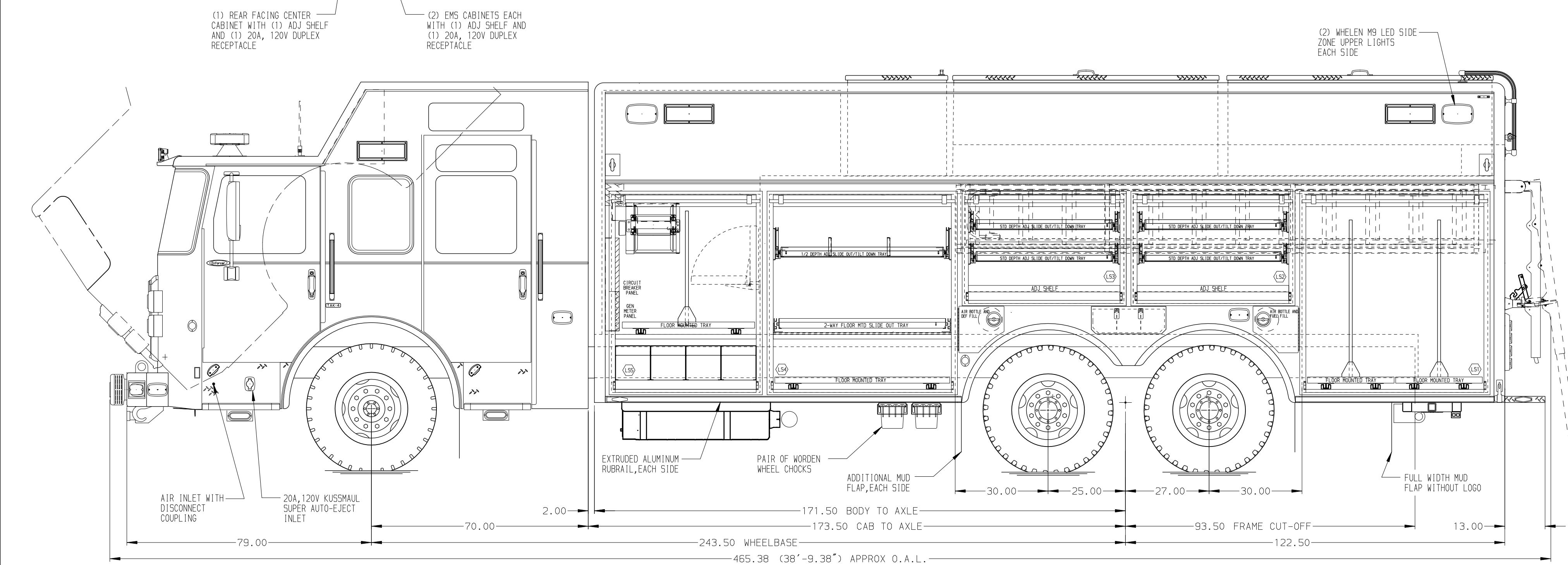
COMPARTMENT RS4 CONTAINS:
 - (1) 1/2 DEPTH ADJ SLIDE OUT/TILT TRAY WITH TWO 6" HIGH ADJ VERTICAL PARTITIONS
 - (1) FLOOR MOUNTED TRAY
 - (1) HORIZONTAL FLOOR EXTENSION
 - (1) TWO WAY FLOOR MTD SLIDE OUT TRAY

COMPARTMENT RS5 CONTAINS:
 - (1) CAB LIFT CONTROLLER
 - (1) HORIZONTAL FLOOR EXTENSION
 - PEGBOARD ON LEFT, RIGHT, AND REAR WALLS
 - (1) STD DEPTH ADJ 5.0. TOOLBOARD WITH TRAY
 - (1) AKRON ELECTRIC CORD REEL WITH 200' OF 10/3 BLACK CORD
 - (1) LOW PRESSURE AIR REEL W/200' OF HOSE
 - (1) VERTICAL COMPARTMENT DIVIDER



REAR COMPARTMENT CONTAINS THE FOLLOWING:

COMPARTMENT B1 CONTAINS:
 - (1) 2-DRAWER TOOL CABINET
 - (1) RACK FOR THE FOLLOWING:
 - (5) PIKE POLES
 - (1) STOKES BASKET
 - (6) SHEETS OF PLYWOOD
 - (1) 24" 2-SECTION LADDER
 - (1) 14' ROOF LADDER
 - (1) 10' FOLDING LADDER
 - (1) LITTLE GIANT LADDER
 - (2) 122" DP ADJ SLIDE OUT TRAY
 - (1) 122" DP FLOOR MTD SLIDE OUT TRAY



LEFT SIDE COMPARTMENTS CONTAIN THE FOLLOWING:

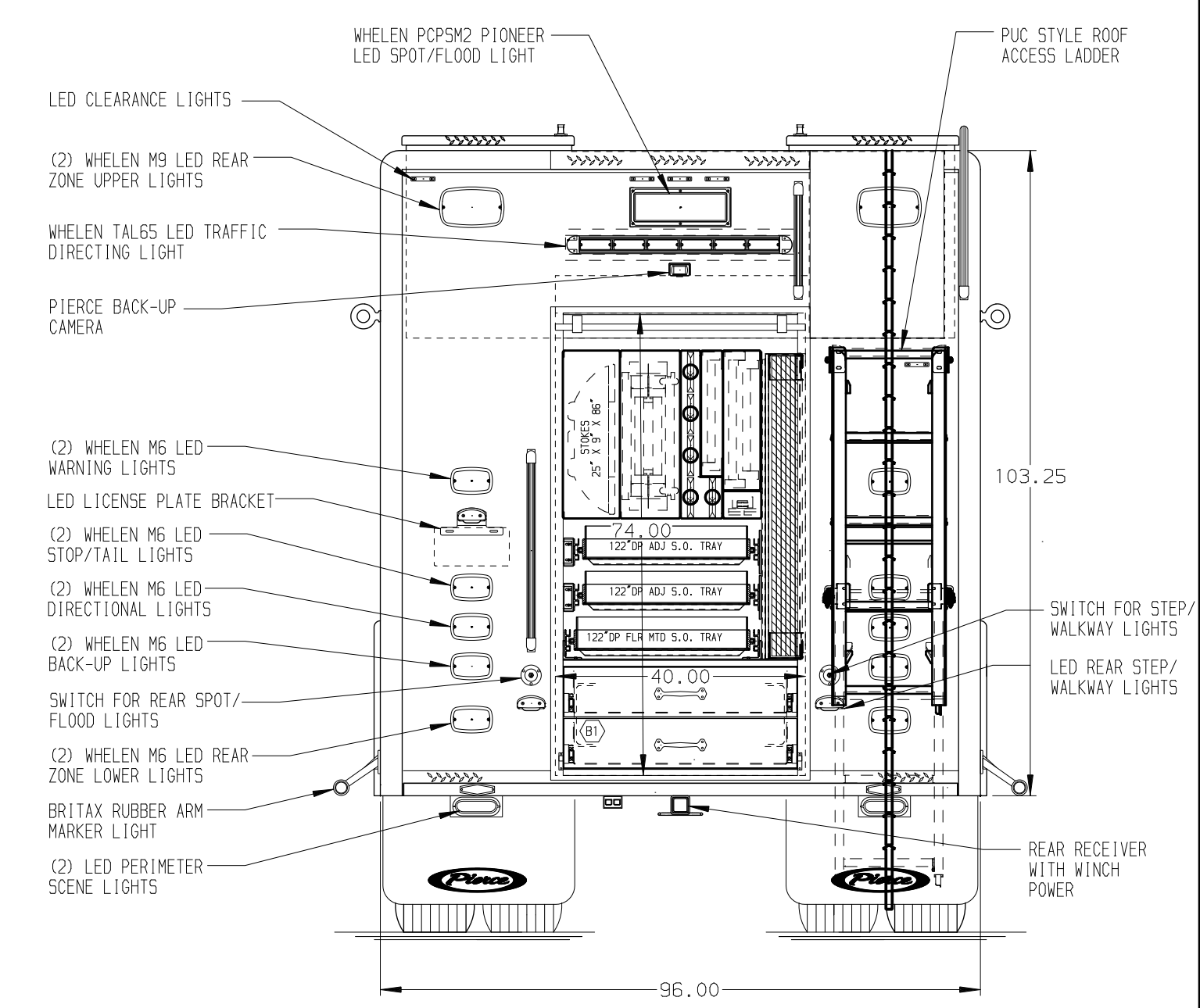
COMPARTMENT LS1 CONTAINS:
 - (2) STD DEPTH FLOOR MOUNTED TRAYS WITH TOOLBOARDS
 - PEGBOARD ON REAR COMPARTMENT WALL

COMPARTMENT LS2 CONTAINS:
 - (1) STD DEPTH ADJ SHELF
 - (2) STD DEPTH ADJ SLIDE OUT/TILT TRAYS

COMPARTMENT LS3 CONTAINS:
 - (1) STD DEPTH ADJ SHELF
 - (2) STD DEPTH ADJ SLIDE OUT/TILT TRAYS

COMPARTMENT LS4 CONTAINS:
 - (1) 1/2 DEPTH ADJ SLIDE OUT/TILT TRAY WITH TWO 6" HIGH ADJ VERTICAL PARTITIONS
 - (1) FLOOR MOUNTED TRAY
 - (1) HORIZONTAL FLOOR EXTENSION
 - (1) TWO WAY FLOOR MTD SLIDE OUT TRAY

COMPARTMENT LS5 CONTAINS:
 - (1) 101A 75AMP CHARGER
 - (1) HORIZONTAL FLOOR EXTENSION
 - PEGBOARD ON LEFT AND REAR WALLS
 - (1) STD DEPTH ADJ 5.0. TOOLBOARD WITH TRAY
 - (1) AKRON ELECTRIC CORD REEL WITH 200' OF 10/3 BLACK CORD
 - (1) RACK FOR 4 EXTINGUISHERS
 - (1) CIRCUIT BREAKER PANEL
 - (1) GENERATOR METER PANEL



NOTE
 DIMENSIONS SHOWN ARE APPROXIMATE AND ARE SUBJECT TO MINOR DEVIATIONS AS MAY OCCUR OR BE NECESSARY IN CONSTRUCTION. MINOR DETAILS NOT SHOWN.

NOTES:
 1. ONAN 25kW SINGLE PHASE PTO DRIVEN GENERATOR WITH SPLASH GUARD LOCATED BETWEEN THE FRAME RAILS
 2. POLISHED 5/S SCUFFPLATE ON CAB AND CREW CAB DOOR JAMBS
 3. FLOOR IN CAB AND CREW CAB TO BE ALUMINUM TREADPLATE
 4. LED STRIP LIGHTS LOCATED IN ALL BODY AND HATCH COMPARTMENTS
 5. BATTERY CHARGE INDICATOR ON DRIVER'S SEAT RISER

(SIDE ROLL AND FRONTAL IMPACT PROTECTION)
 (MAXIMUM O.A.H. 11'-2")

CLEAR DOOR WIDTH KEY		REV	DATE	BY	CH	CHASSIS DATA
AMOR ROLL UP DOORS:	-2 1/4"	11JUN19	DHE	AZU		
CORTITE ROLL UP DOORS:	-2 1/2"	16APR19	ALZ	AZU		MAKE
PIERCE DOUBLE LIP DOORS:	-4 1/4"	12APR19	ALZ	AZU		PIERCE
PIERCE LIFT-UP LAP DOORS:	-1 1/2"	06MAR19	DHE	AZU		MODEL
(EX: 60" F-F - 2 1/4" = 57 3/4" CLEAR)						EN7024

Pierce MANUFACTURING INC.		JOB NO.	33449
		SCALE	1:24
		DATE	
		DRAWN BY	DHE
		DATE	19FEB19
		CHECKED BY	AZU
		DATE	20FEB19
		SHEET SIZE	D
		SHEET NO.	1 OF 1
TITLE		HEAVY DUTY RESCUE WALKIN/NON-WALKIN COMBO	
FOR		PORTLAND FIRE DEPARTMENT PORTLAND, ME	
DWG NO.		33449AD-SH1	
		RAY SMITH	