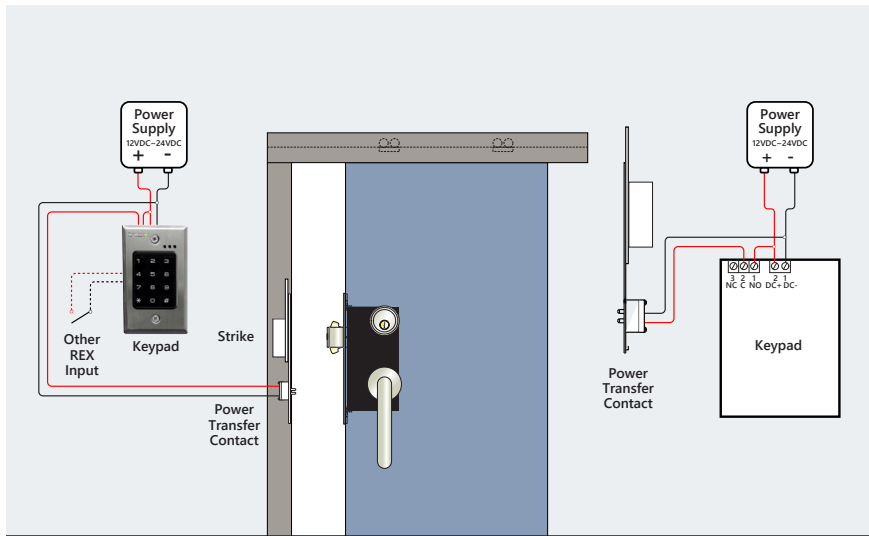


PD97PT Wiring Diagram



For UL294 compliance the product is to be installed in the protected premises area.

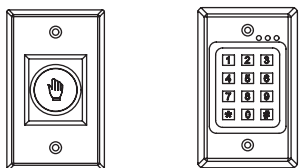
PD97PT Electrified Locks are designed to operate at 12/24V. INOX breakdown of individual items:

| | |
|-----------|-------|
| Lock Body | 560mA |
| Strike | 40 mA |

For UL compliance the product is to be powered via a UL294 or UL603 or UL2610 power supply with a class 2 power limited output suitable for the power requirement of the product.

Door Position Switch (DPS) 250K cycles of operation resistive load

Optional Accessories:



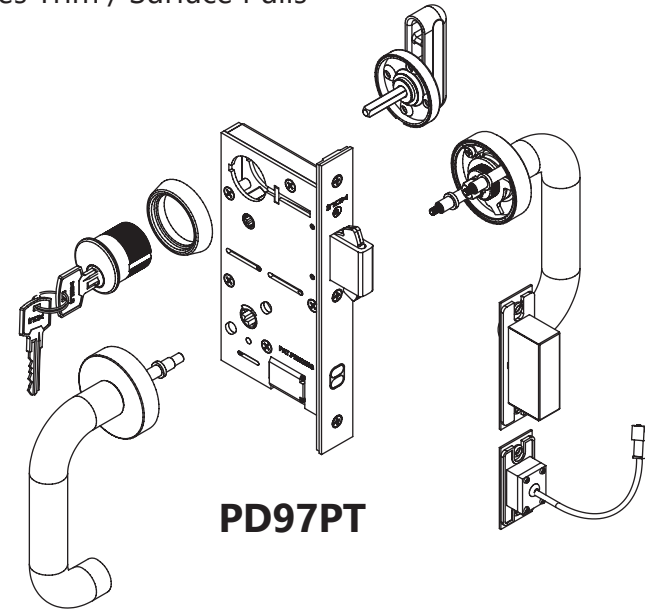
Handwave

Keypad

Accessories are shown for reference only and not evaluated for UL294 or UL1034.

Installation Instructions

PD97PT Electrified Mortise Lockset for Sliding Door with Power Transfer with X Series Trim / Surface Pulls



PD97PT

This product has been tested and certified for UL1034 and UL294.

It is intended to be installed in accordance with the installation wiring diagram, mechanical assembly drawings provided with each product, the local authority having jurisdiction (AHJ) and the National Electric Code, NFPA 70. When installed in fail secure mode, the local authority shall be consulted with regard to the use of possible panic hardware to allow emergency exit from the secure area.

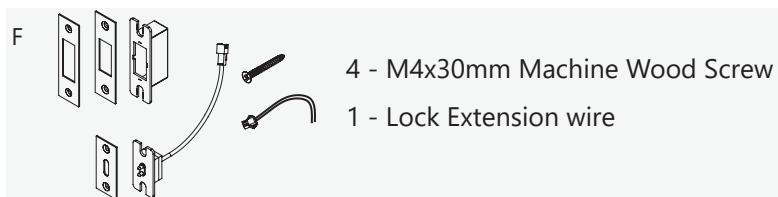
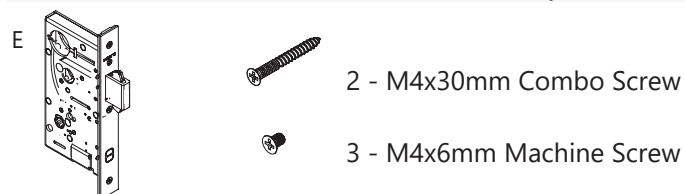
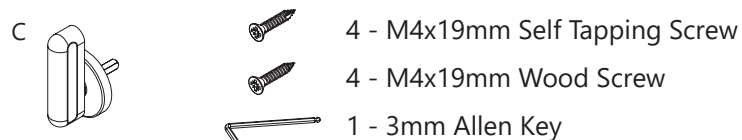
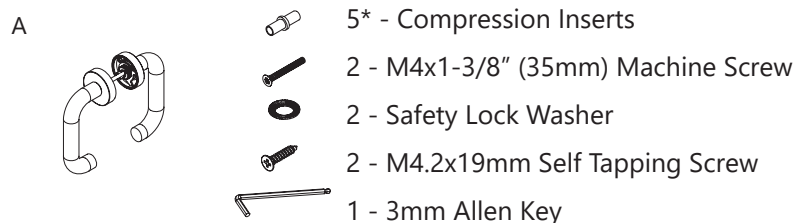
For UL294 compliance, the product is to be installed in the protected premises area. Only the lockbody was evaluated to UL1034, accessories are shown for reference only.

| | |
|----------------------------------|--------------------------|
| UL1034 Static and Dynamic Rating | |
| Static Strength | 500 lbs |
| Dynamic Strength | 70 ft lbs |
| Endurance | 250K cycle of operations |

| | |
|---------------------------|-----------------|
| UL 294 Performance Rating | |
| Level I | - Line Security |
| Level IV | - Endurance |
| Level I | - Standby Power |
| Level I | - Attack |

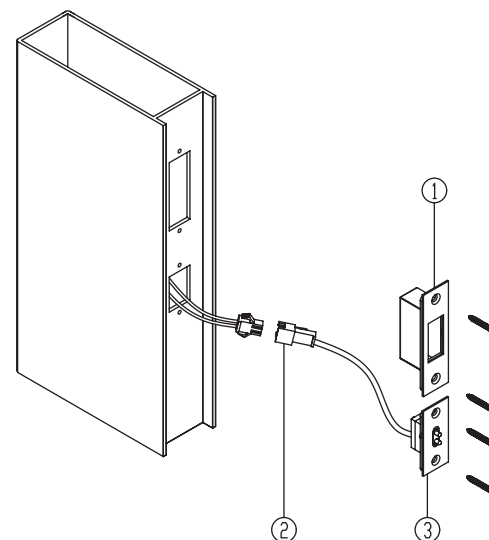
PD97PT Components List

| | Part Lists | Privacy | Entry | Patio/Exit | Classroom |
|---|------------------------------|---------|-------|------------|-----------|
| A | X Series Trim / Surface Pull | 1 EA | 1 EA | 1 EA | 1 EA |
| B | Cylinder & Keys | - | 1 EA | - | 1 EA |
| C | Thumbturn | 1 EA | 1 EA | 1 EA | - |
| D | Coin Turn | 1 EA | - | - | - |
| E | Mortise Lock & Faceplate | 1 EA | 1 EA | 1 EA | 1 EA |
| F | Strike Plate with Dust Box | 1 EA | 1 EA | 1 EA | 1 EA |



* Extra fasteners provided for convenience

Installation Instructions for PD97PT Strike:



1. Install strike into door frame prep with provided screws.
2. Connect the power Molex head to the pigtail Molex receptacle.
NOTE: Product is NOT to be connected to a receptacle controlled by a switch.
3. Install Power Transfer contact plate into door frame with the screws provided.

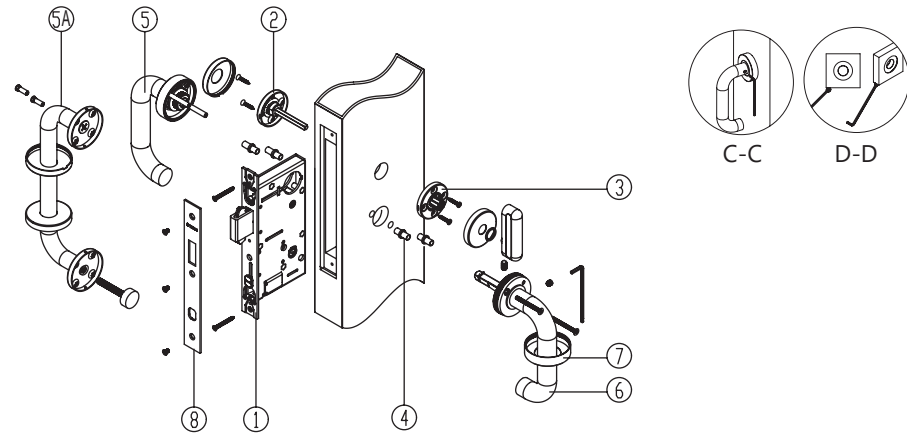
Electrical rating for this product = Lock / Strike Rated 10-26VDC 1.5 Amps.

Door Position Switch (DPS):
Max Voltage 30VDC
Max Current: 1.5A
250K cycles of operation resistive load

For UL compliance the product is to be powered via a UL 294 or UL 603 or UL 2610 power supply with a class 2 power limited output suitable for the power requirement of the product.

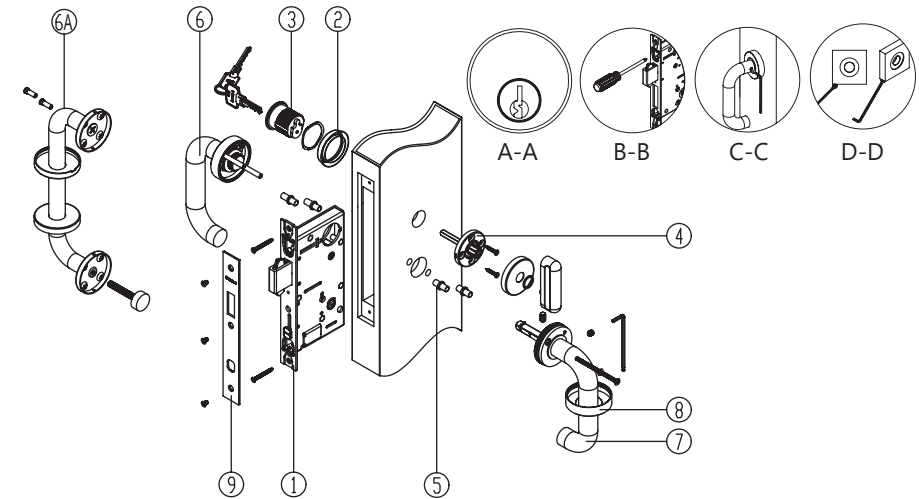
This product for UL compliance shall be used with UL Listed access control and burglar alarm control panels / peripheral devices.

Installation Instructions for Privacy Function: PD97PT40 with X Series Trim or Surface Pulls



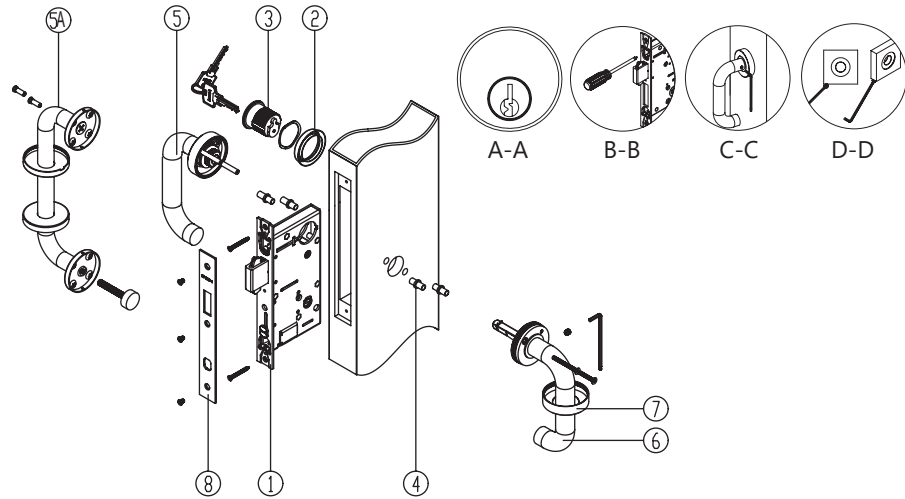
1. Install mortise lockcase in door prep. **NOTE:** DO NOT tighten faceplate screws until the cylinder has been installed.
2. Install outside thumbturn release with screws.
3. Mount inside privacy thumbturn rose with M4x6mm screws. Mount rose cover and clear washer before mounting thumbturn piece. Use Allen Key to tighten set screws.
4. Install the compression inserts on both sides.
5. Install outside X series trim, do not tighten the set screws.
- 5A. *Alternative Option: Install outside surface pull without spindle and do not tighten the set screws.*
6. Install outside X series trim, do not tighten the set screws.
7. Install the inside rose cover. XGT is threaded, XGS requires a set screw. **NOTE:** After the lever is installed, fully tighten the set screws on both the inside and outside trims. See Section C-C. **NOTE:** XGS square roses needs to be aligned prior to tightening the set screw on bottom of rose cover. See Section D-D.
8. Install armored faceplate with M4x6mm screws.

Installation Instructions for Entry Function: PD97PT50 with X Series Trim or Surface Pulls



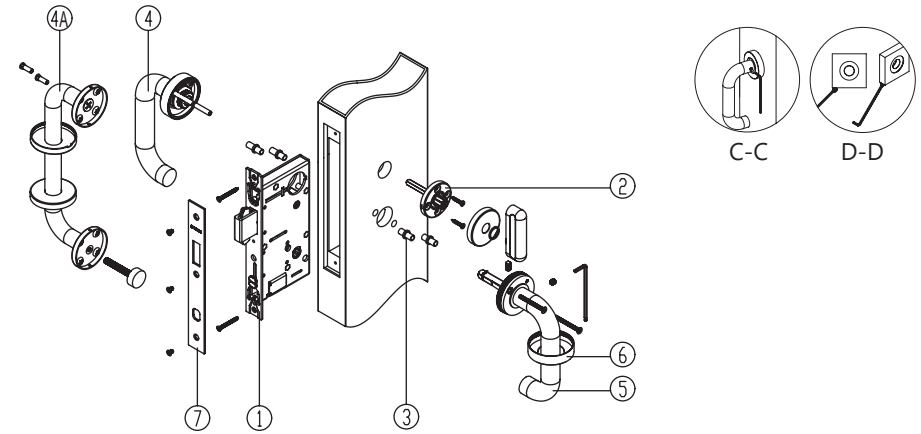
1. Install mortise lockcase in door prep. **NOTE:** DO NOT tighten faceplate screws until the cylinder has been installed.
2. Screw on outside cylinder escutcheon ring with spacer.
3. Install mortise cylinder. **NOTE:** Key slot on cylinder should be on lower center position. See section A-A. Using a screwdriver, tighten the M4.2x19mm screws on the lockcase to position the cylinder into place. See Section B-B.
4. Mount inside privacy thumbturn rose with M4x6mm screws. Mount rose cover and clear washer before mounting thumbturn piece. Use Allen Key to tighten set screws.
5. Install the compression inserts on both sides.
6. Install outside X series trim, do not tighten the set screws.
- 5A. *Alternative Option: Install outside surface pull without spindle and do not tighten the set screws.*
7. Install inside X series trim and tighten the M4x1-3/8" screws.
8. Install the inside rose cover. XGT is threaded, XGS requires a set screw. **NOTE:** After the lever is installed, fully tighten the set screws on both the inside and outside trims. See Section C-C. **NOTE:** XGS square roses needs to be aligned prior to tightening the set screw on bottom of rose cover. See Section D-D.
9. Install armored faceplate with M4x6mm screws.

Installation Instructions for Classroom Function: PD97PT70 with X Series Trim or Surface Pulls



1. Install mortise lockcase in door prep. **NOTE:** DO NOT tighten faceplate screws until the cylinder has been installed.
2. Screw on outside cylinder escutcheon ring with spacer.
3. Install mortise cylinder. **NOTE:** Key slot on cylinder should be on lower center position. See section A-A. Using a screwdriver, tighten the M4.2x19mm screws on the lockcase to position the cylinder into place. See Section B-B.
4. Install the compression inserts on both sides.
5. Install outside X series trim, do not tighten the set screws
- 5A. *Alternative Option: Install outside surface pull without spindle and do not tighten the set screws.*
6. Install outside X series trim, do not tighten the set screws.
7. Install the inside rose cover. XGT is threaded, XGS requires a set screw. **NOTE:** After the lever is installed, fully tighten the set screws on both the inside and outside trims. See Section C-C. **NOTE:** XGS square roses needs to be aligned prior to tightening the set screw on bottom of rose cover. See Section D-D.
8. Install armored faceplate with M4x6mm screws.

Installation Instructions for Patio/Exit Function: PD97PT60 with X Series Trim or Surface Pulls



1. Install mortise lockcase in door prep. **NOTE:** DO NOT tighten faceplate screws until the cylinder has been installed.
2. Mount inside privacy thumbturn rose with M4x6mm screws. Mount rose cover and clear washer before mounting thumbturn piece. Use Allen Key to tighten set screws.
3. Install the compression inserts on both sides.
4. Install outside X series trim, do not tighten the set screws
- 5A. *Alternative Option: Install outside surface pull without spindle and do not tighten the set screws.*
5. Install outside X series trim, do not tighten the set screws.
6. Install the inside rose cover. XGT is threaded, XGS requires a set screw. **NOTE:** After the lever is installed, fully tighten the set screws on both the inside and outside trims. See Section C-C. **NOTE:** XGS square roses needs to be aligned prior to tightening the set screw on bottom of rose cover. See Section D-D.
7. Install armored faceplate with M4x6mm screws.