

PD3000 Narrow Profile ICU Lock

For Sliding Doors



APPLICATION

INOX's Narrow Stile Lock has an innovative actuator on the faceplate that activates the bolt quickly and quietly when the door is closed. No pressure or force is required to self-latch the door.

The PD3000 works in wood or metal doors and is suitable for a wide range of applications, including but not limited to: Hospitality, Healthcare, Commercial.

FINISH

Standard:

- 32D Satin Stainless Steel
- 19G Graphite Black

Special Order:

- 32 Bright Stainless Steel
- PVD4 Satin Brass
- 10B Oil Rubbed Bronze
- CeraMax Ceramic Coating
 - C19G Ceramic Graphite Black
 - C19 Ceramic Flat Black
 - CGY Ceramic Stormy Grey
 - CDB Ceramic Dark Bronze

SPECIFICATIONS

| | |
|--------------------------------|---|
| Standard Door Thickness | 1-3/4" (45mm) <i>Thick door kits available</i> |
| Backset | 1-1/4" (31.5mm) |
| Thumbturn Spindle | 8x8mm square |
| Case Size | 4-1/2" x 5/8" x 1-19/32" (114mm x 16mm x 40.5mm) |
| Handing | Non-handed |

FEATURES

- Narrow-profile mortise lock fits door openings where larger mortise locks cannot, including glass doors
- Stainless steel bolt, hub, and faceplate integrated in an innovative design with activator that provides self-latching function to meet UL1784 standard
- Designed to replace existing narrow profile locks; INOX retrofit is easy and provides strength, resilience, and durability
- Successfully tested to 250,000 cycles for lever and latchbolt hook



CODE COMPLIANCE

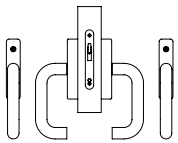
- ASBU A117.1 Accessibility Code (ADA Compliant)
- Meets UL1784 Standard

MATERIAL

- Lockcase: Heavy gauge steel
- Bolt: Brass and stainless steel
- Faceplate and Strike: Stainless steel
- Cylinder: Solid brass
- Lever: Stainless steel

INOX-MKT-PD3000
V:2021117

FUNCTION



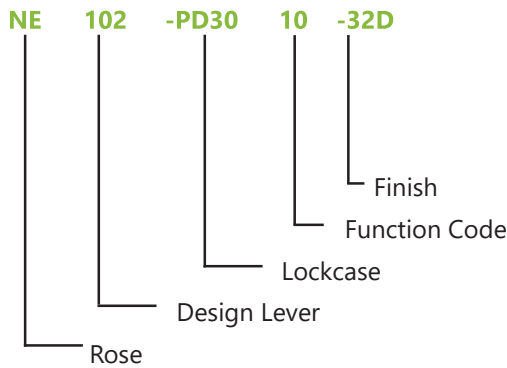
Passage: PD3010

- Self-latching: When the sliding door is closed, the bolt is automatically engaged into the strike
- Outside and inside levers are always unlocked and retract the latch

HOW TO ORDER

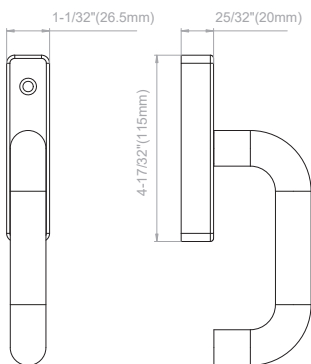
Specify the Rose, Design Lever, Lock, Function, and Finish using the product identification below:

Standard Product Identifications



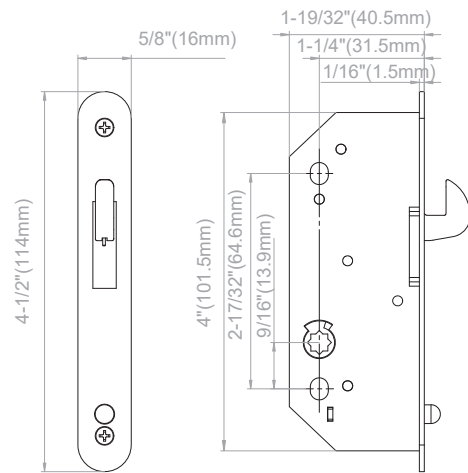
| Part Number | Description |
|---------------|-------------------------|
| PD3010 | Passage, 1-1/4" backset |

ESCUTCHEON DIMENSION



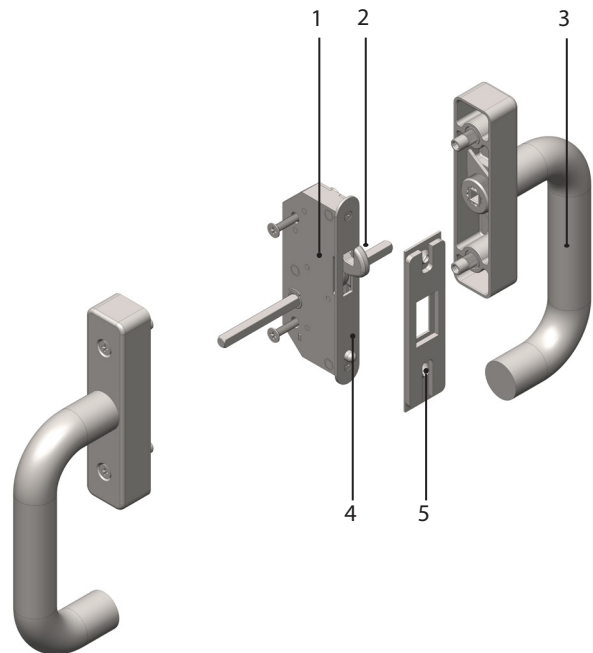
| Part Number | Description |
|--------------|--|
| NE102 | 102 Munich Lever Design with narrow profile escutcheon |

LOCKCASE DIMENSIONS



| Part Number | Description |
|-----------------|--|
| PD30-114 | PD3000 1-1/4" backset lockcase with faceplate and strike |

COMPONENTS



1. PD3000 lockcase
2. Solid brass bolt with self-retracting hook
3. Escutcheon seen with lever design
4. Solid button to activate the self-latch
5. Adjustable Strike