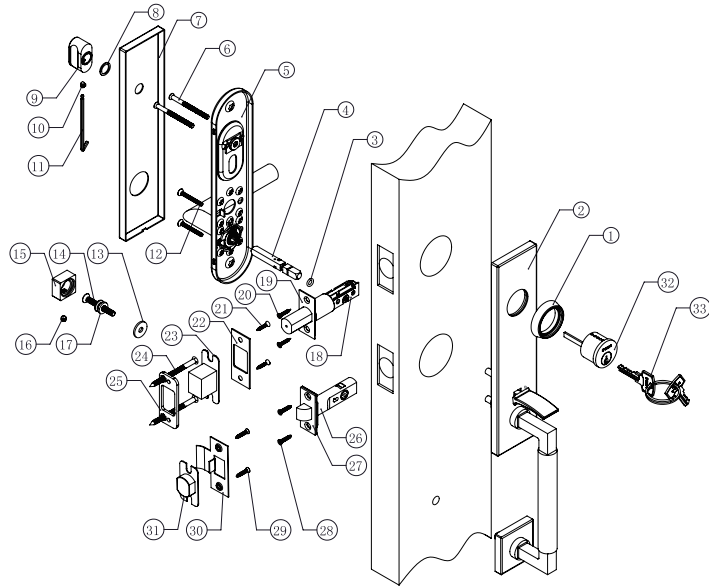
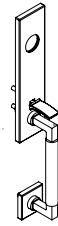


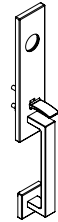
NY Handle-set with TL5 Tubular Latch Parts List:



Section A



NY outside escutcheon plate and handle-set



MH outside escutcheon plate and handle-set

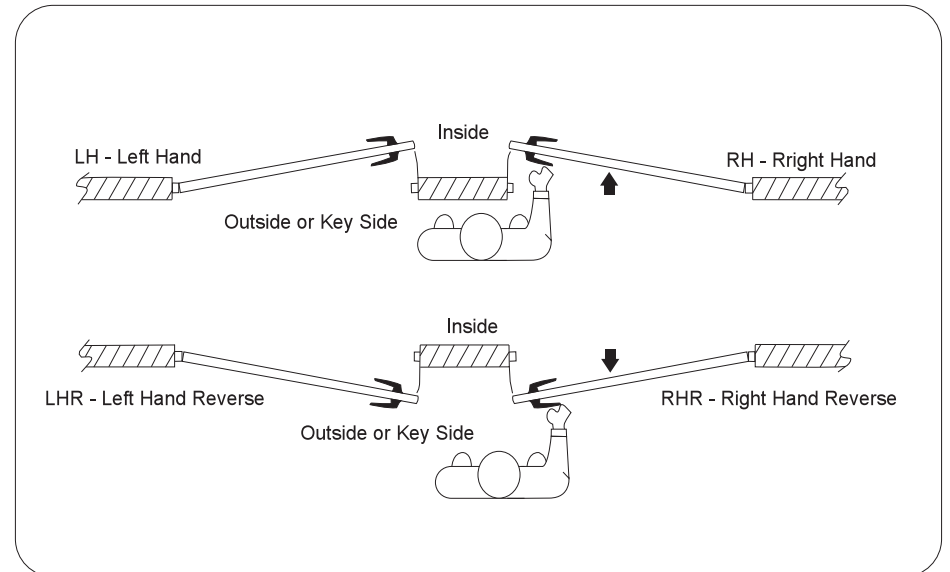


NY/ MH Series Handle-set with TL5 Tubular Latch (2-3/8" Backset and 2-3/4" Backset) Installation Instructions

(PM-IS1510-V120801)

Items	No.	Parts Description	Function	
			Entry	Dummy Entry
Leverset Parts	1	Cylinder Escutcheon	1 EA	1 EA
	2	NY/ MH outside escutcheon plate and handle-set (See Section A)	1 EA	1 EA
	3	Plastic Ring	1 EA	-
	4	88 x 75mm Tubular Spindle	1 EA	-
	5	NY/ MH Plate Inside w/ Lever	1 EA	1 EA
	6	M5 x 50mm Thru-bolt	2 EA	2 EA
	7	NY/ MH Inside Cover Plate	1 EA	1 EA
	8	Clear Washer for Thumb-turn	1 EA	-
	9	TT04 Thumb-turn	1 EA	-
	10	M6 Set Screws for T-turn	1 EA	-
	11	3mm Allen Key	1 EA	1 EA
	12	M4 x 35mm Thru-bolt	2 EA	2 EA
	13	Stainless Steel Washer for Adaptor	1 EA	1 EA
	14	M6 x 45mm Thru-bolt (M6 x 70mm for old style)	2 EA	2 EA
	15	Thru-bolt Cap	1 EA	1 EA
	16	M6 Set Screw for Thru-bolt Cap	1 EA	1 EA
	17	Thru-bolt Adaptor	1 EA	1 EA
Locks and	18	Deadbolt	1 EA	-
	19	Deadbolt Faceplate	1 EA	-
	20	8# screws for Deadbolt Faceplate	2 EA	-
	21	Screws for Deadbolt Striking Plate	2 EA	-
	22	Deadbolt Striking Plate	1 EA	-
	23	Deadbolt Dust Box	1 EA	-
	24	Screws for Deadbolt Reinforcement Plate	2 EA	-
	25	Deadbolt Reinforcement Plate	1 EA	-
	26	Tubular Latch	1 EA	-
	27	Tubular Latch Faceplate	1 EA	-
	28	8# Screws for Tubular Latch Faceplate	2 EA	-
	29	Screws for Tubular Latch Striking Plate	2 EA	-
	30	Tubular Latch Striking Plate	1 EA	-
	31	Tubular Latch Dust Box	1 EA	-
	32	Outside Rim Cylinder w/ Tailpiece	1 EA	-
	33	Keys	1 EA	-
-	Outside Rim Dummy Cylinder w/ Tailpiece	-	1 EA	

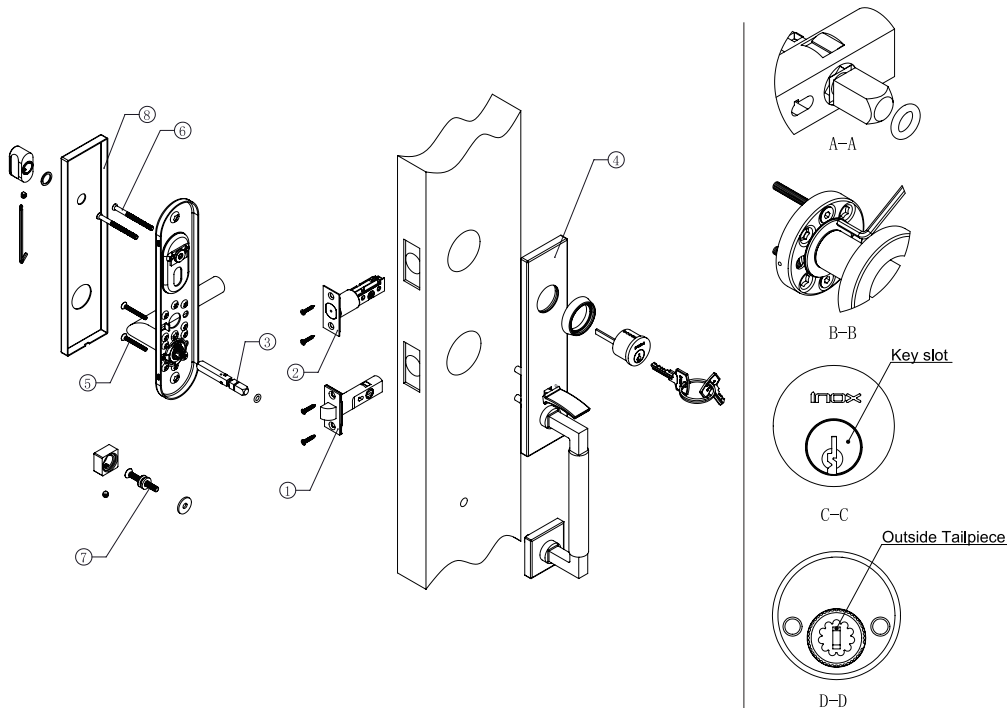
Determine Door Handing and Set Lock Case Direction



NY Handle-set with TL5 Tubular Latch Installation Instructions:

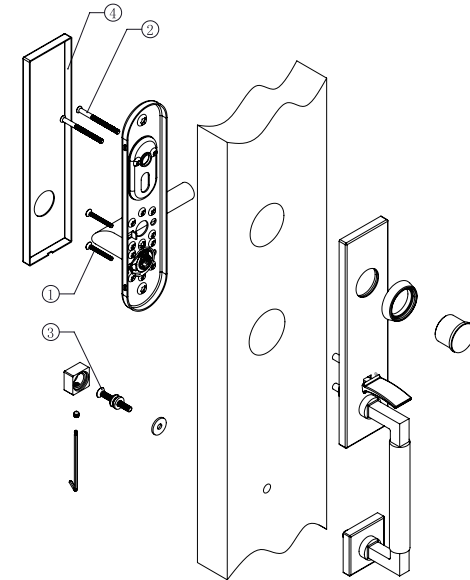
For Entry Function: C563/ C573

1. Install tubular latch with 2x #8 Screws.
2. Install deadbolt with 2x #8 Screws.
 - ▲ Please ensure the deadbolt bolt is retracted inside latch casing.
3. Insert the tubular spindle through the cam slot of the tubular latch. Then mount the plastic ring on the tubular spindle. See Section A-A
4. Mount NY/ MH outside escutcheon plate and handle-set.
5. Mount NY/ MH inside sub-plate and lever with 2 EA M4 x 35mm Thru-bolts.
 - ▲ Please ensure the inside lever is at horizontal level and plate is vertical before tightening thru-bolts.
 - ▲ For non-removable plate designs, use M4 x 35mm hexagon with allen key, see Section B-B
6. Install outside cylinder and escutcheon with 2 EA M5 x 50mm Thru-bolts.
 - ▲ Key slot on cylinder should be on lower off-center position. See Section C-C
 - ▲ Set the outside tailpiece to Vertical position WITHOUT keys. See Section D-D
 - ▲ Use keys to test cylinder and make sure cylinder cam operates deadbolt smoothly.
7. Insert the M6 thru-bolt through the adaptor and the stainless steel washer to fixing the outside handle set before mounting the thru-bolt cap. Tighten the set screw inside the thru-bolt cap using allen key.
8. Mount the inside cover plate and thumb-turn clear washer before mounting thumb-turn piece.



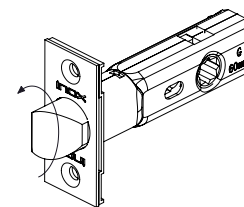
For Dummy Function: TDP

1. Mount NY/ MH outside escutcheon plate and handle-set, NY/ MH inside sub-plate and lever with 2 EA M4 x 35mm Thru-bolts.
 - ▲ Please ensure the inside lever is at horizontal level and plate is vertical before tightening thru-bolts.
 - ▲ For non-removable plate designs, use M4x35mm hexagon with allen key, see Section B-B
2. Install outside dummy cylinder and escutcheon with 2 EA M5 x 50mm Thru-bolts.
3. Insert the M6 thru-bolt through the thru-bolt adaptor and the stainless steel washer to fixing the outside handle set before mounting the thru-bolt cap. Tighten the set screw inside the thru-bolt cap using allen key.
4. Mount the inside cover plate.

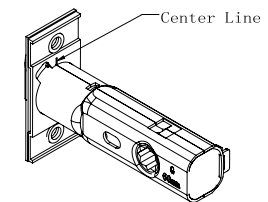


Change Latch Bolt Direction For TL5 Latch

TL5 Latch
35 degree retraction latch



Change the latch direction 180° with the faceplate together.
Note: Be sure to install the latch with faceplate attached to the latch body.



Note: Please ensure the center line on the back of the faceplate meets the center seam of the latch case.