

inox®



FLUSH PULL SERIES

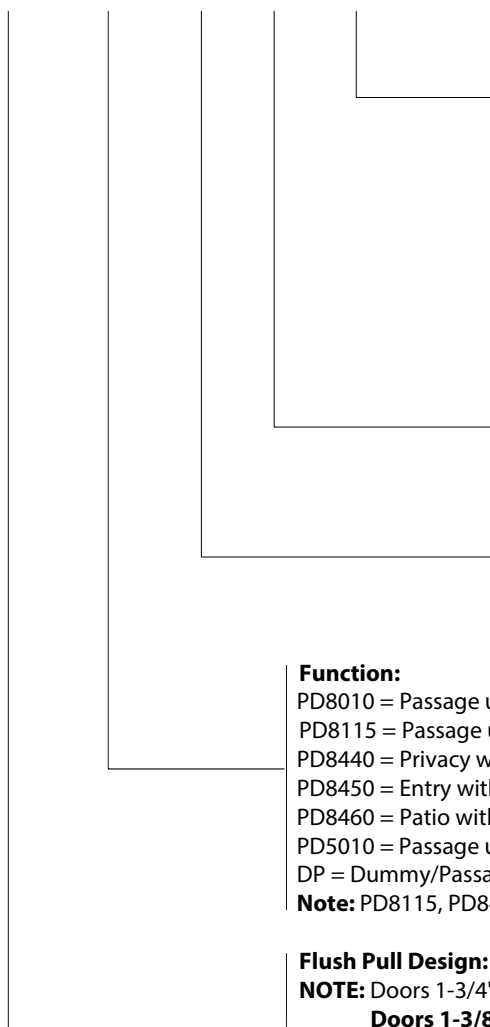
PD8000/PD5000 Mortise Locks with Flush Pulls for Pocket Door

How to Order

1. Specify/Order Flush Pull Locksets using complete codes as below:

Product Identification

FH27 PD8450 -B -TT09 -32D



Finish:

- US3 (605) Bright Brass - Lifetime PVD
- US4 (606) Satin Brass - Lifetime PVD
- US7 (608) French Antique
- US10B (613) Oil Rubbed Bronze
- 19G Graphite Black
- US14 (618) Polished Nickel (Brass) - Lifetime PVD
- US15 (619) Satin Nickel (Brass)
- US26 (625) Polished Chrome (Brass)
- US26D (626) Satin Chrome (Brass)
- US32 (629) Bright Stainless Steel - Lifetime
- US32D (630) Satin Stainless Steel - Lifetime
- 38 - Aged Brass

Ceramic Coating:

- C19G - Ceramic Graphite Black
- C19 - Ceramic Flat Black
- CGY - Ceramic Stormy Grey
- CDB - Ceramic Dark Bronze

Thumbturn:

- Blank = Privacy w/TT08 Thumbturn
- TT09 = Privacy w/TT09 Thumbturn

Backset:

- BLANK = 2-3/4"
- A = 2-1/2"
- B = 2"

Function:

- PD8010 = Passage used as Flush Pull or matching trim on pair of doors. Push button activates edge pull
- PD8115 = Passage used as Dust Proof Strike on inactive side of pair of doors; push button activates edge pull
- PD8440 = Privacy with Thumbturn and Release. Push button activates edge pull
- PD8450 = Entry with Single Cylinder and Thumb-turn. Push button activates edge pull
- PD8460 = Patio with Thumbturn only. Push button activates edge pull
- PD5010 = Passage used as Flush Pull or matching trim on pair of doors. Push button activates edge pull
- DP = Dummy/Passage. No lock case edge pull
- Note:** PD8115, PD8450, PD5010 are not suitable for 27SL, 22CF, 23CF Slim Trim

Flush Pull Design:

NOTE: Doors 1-3/4" or thicker: Order any Flush Pull
Doors 1-3/8" = Order FH27SL, FH22CF or FH23CF ONLY (See pages 28 and 34)

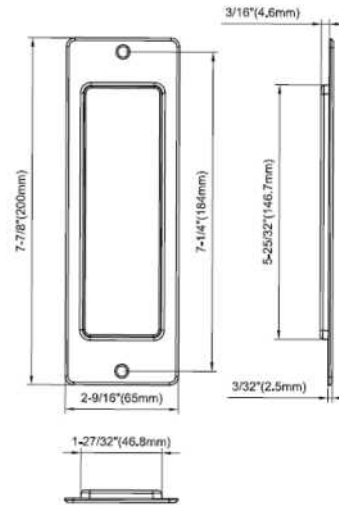
- FH17 = Bezel series
- FH27 = Linear series
- FH27SL = Linear Slim Trim for 1-3/8" thick door
- FH29 = Arc series
- FH31 = Regal series
- FH32 = Crown series
- FH22 = Luna series
- FH23 = Urban series

Concealed Fixing

- FH22CF = Luna for 1-3/8" and thicker door
- FH23CF = Urban for 1-3/8" and thicker door

FH17 Bezel Flush Pull

For PD8000/PD5000 Sliding & Pocket Door Locks



FH17 w/ PD84

Specifications

- Standard Door Thickness: 1-3/8" to 1-3/4" (35 to 45mm)
Thick Door Kits available
- Handing: Non-Handed
- Thumbturn Spindle: 5x5mm square
- Deadbolt: 1" (25.4mm)
- Cylinder: Schlage C keyway 5 pin mortise cylinder with 2 keys (KD). Keying services available; order separately

Application

For Residential or Commercial application

Material

Stainless Steel/Brass

Finish

See page 10 for Finish options.

Note: Stamped trim FH17 Bezel Trim can be installed on 1-3/8" doors. For non-stamped trim to fit 1-3/8" thick doors, order FH27SL face-fixing Slim Trim. Also available: FH22CF or FH23CF (see page 9).



FH1700
Flush Pull Only



FH1703
Flush Pull w/
Cylinder Hole



FH1792
Flush Pull
w/ TT09
Thumbturn



FH1704
Flush Pull w/
Thumbturn
Release

FH27 Linear Flush Pull

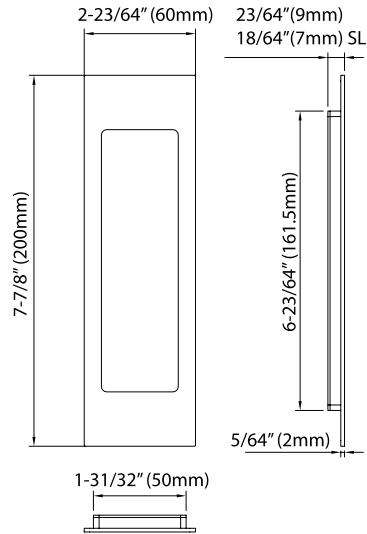
For PD8000/PD5000 Sliding & Pocket Door Locks



FH27 w/PD84



FH27 w/PD50



Specifications

- Standard Door Thickness: 1-3/4" (45mm)
Thick Door Kits available
- Slim Trim (FH27SL) available for 1-3/8" (35mm) doors
- Handing: Non-Handed
- Thumbturn Spindle: 5x5mm square
- Deadbolt: 1" (25.4mm)
- Cylinder: Schlage C keyway 5 pin mortise cylinder with 2 keys (KD). Keying services available; order separately

Finish

See page 10 for Finish options.

Note: Standard FH27 Linear Trim cannot be installed on 1-3/8" doors. For 1-3/8" thick doors, order FH27SL face-fixing Slim Trim. Also available: FH22CF or FH23CF (see page 9).

Application

For Residential or Commercial application

Material

Stainless Steel/Brass

Options

Trim	Door Thickness	Fixing Type
FH27..	1-3/4" or greater	Discrete
FH27..SL	1-3/8"	Face Fixing



FH27SL*



FH2700 FH2700SL
Flush Pull Only



FH2792 FH2792SL
Flush Pull w/
TT09 Thumbturn



FH2704 FH2704SL
Flush Pull w/
Thumbturn Release



FH2703*
Flush Pull w/
Cylinder Hole



FH2782*
Flush Pull w/
TT08 Thumbturn

* Not available with SL

FH29 Arc Flush Pull

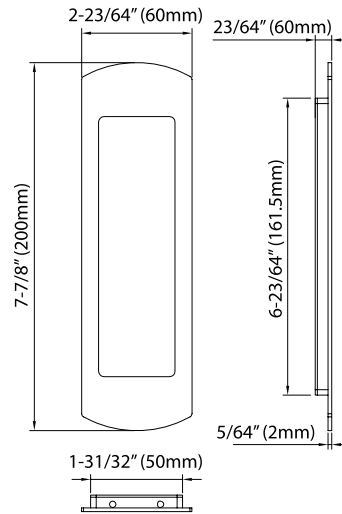
For PD8000/PD5000 Sliding & Pocket Door Locks



FH29 w/PD84



FH29 w/PD50



Specifications

- Standard Door Thickness: 1-3/4" (45mm)
Thick Door Kits available
- Handing: Non-Handed
- Thumbturn Spindle: 5x5mm square
- Deadbolt: 1" (25.4mm)
- Cylinder: Schlage C keyway 5 pin mortise cylinder with 2 keys (KD). Keying services available; order separately

Application

For residential, hospitality or commercial application

Material

Stainless Steel/Brass

Finish

See page 10 for Finish options.

Note: FH29 Arc Trim cannot be installed on 1-3/8" doors. For 1-3/8" thick doors, order FH27SL (see page 28). Also available: FH22CF or FH23CF (see page 9).



FH2900
Flush Pull Only



FH2903
Flush Pull w/
Cylinder Hole



FH2982
Flush Pull
w/ TT08
Thumbturn



FH2992
Flush Pull
w/ TT09
Thumbturn



FH2904
Flush Pull w/
Thumbturn
Release

FH31 Regal Flush Pull

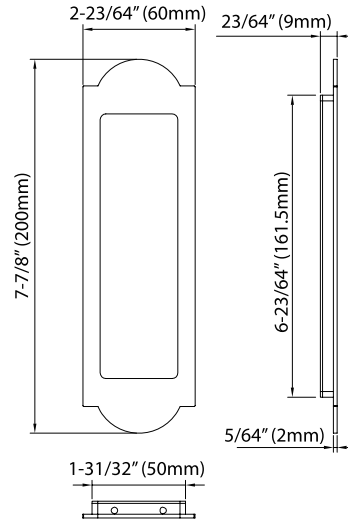
For PD8000/PD5000 Sliding & Pocket Door Locks



FH31 w/PD84



FH31 w/PD50



Specifications

- Standard Door Thickness: 1-3/4" (45mm)
Thick Door Kits available
- Handing: Non-Handed
- Thumbturn Spindle: 5x5mm square
- Deadbolt: 1" (25.4mm)
- Cylinder: Schlage C keyway 5 pin mortise cylinder with 2 keys (KD). Keying services available; order separately

Application

For residential, hospitality or commercial application

Material

Stainless Steel/Brass

Finish

See page 10 for Finish options.

Note: FH31 Regal Trim cannot be installed on 1-3/8" doors. For 1-3/8" thick doors, order FH27SL (see page 28). Also available: FH22CF or FH23CF (see page 9).



FH3100
Flush Pull Only

FH3103
Flush Pull w/
Cylinder Hole

FH3182
Flush Pull
w/ TT08
Thumbturn

FH3192
Flush Pull
w/ TT09
Thumbturn

FH3104
Flush Pull w/
Thumbturn
Release

FH32 Crown Flush Pull

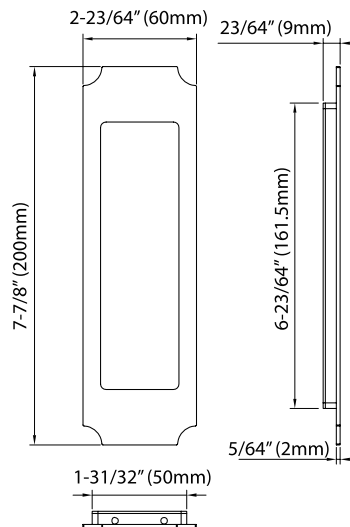
For PD8000/PD5000 Sliding & Pocket Door Locks



FH32 w/PD84



FH32 w/PD50



Specifications

- Standard Door Thickness: 1-3/4" (45mm)
Thick Door Kits available
- Handing: Non-Handed
- Thumbturn Spindle: 5x5mm square
- Deadbolt: 1" (25.4mm)
- Cylinder: Schlage C keyway 5 pin mortise cylinder with 2 keys (KD). Keying services available; order separately

Application

For residential, hospitality or commercial application

Material

Stainless Steel/Brass

Finish

See page 10 for Finish options.

Note: FH32 Crown Trim cannot be installed on 1-3/8" doors. For 1-3/8" thick doors, order FH27SL (see page 28). Also available: FH22CF or FH23CF (see page 9).



FH3200
Flush Pull Only



FH3203
Flush Pull w/
Cylinder Hole



FH3282
Flush Pull
w/ TT08
Thumbturn



FH3292
Flush Pull
w/ TT09
Thumbturn



FH3204
Flush Pull w/
Thumbturn
Release

FH22 Luna Flush Pull

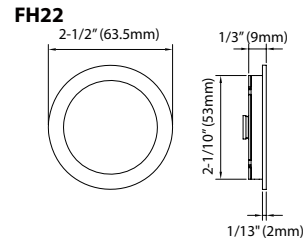
For PD8000/PD5000 Sliding & Pocket Door Locks



FH22 with PD84



FH22 with PD50



Specifications

- Standard Door Thickness: 1-3/4" (45mm)
Thick Door Kits available
- 1-3/8" Door Thickness: Use FH22CF
- Handing: Non-Handed
- Thumbturn Spindle: 5x5mm square
- Deadbolt: 1" (25.4mm)
- Cylinder: Schlage C keyway 5 pin mortise cylinder with 2 keys (KD). Keying services available; order separately

Application

For residential, hospitality or commercial application

Material

Stainless Steel/Brass

Finish

See page 35 for Finish options.

Trim Options

Note: FH22 Luna Trim cannot be installed on 1-3/8" doors. For 1-3/8" thick doors, order FH22CF (see page 9).

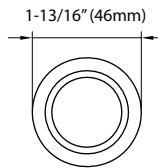
Standard FH22 Luna trim - For doors 1-3/4" thick



FH2200
Flush Pull Only



FH2203
Flush Pull with
Cylinder Hole



FH2282
Flush Pull
with TT08 Thumbturn



FH2204
Flush Pull with
Thumbturn Release

FH23 Urban Flush Pull

For PD8000/PD5000 Sliding & Pocket Door Locks

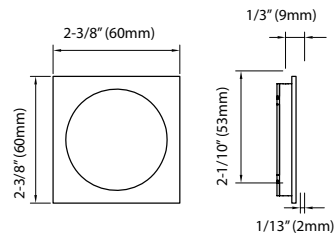


FH23 w/PD84



FH23 w/PD50

FH23



Specifications

- Standard Door Thickness: 1-3/4" (45mm)
Thick door kits available
- 1-3/8" Door Thickness: Use FH23CF
- Handing: Non-Handed
- Thumbturn Spindle: 5x5mm square
- Deadbolt: 1" (25.4mm)
- Cylinder: Schlage C keyway 5 pin mortise cylinder with 2 keys (KD). Keying services available; order separately

Application

For residential, hospitality or commercial application

Material

Stainless Steel/Brass

Finish

See page 35 for Finish options.

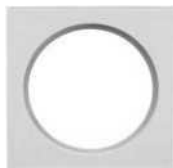
Trim Options

Note: FH23 Urban Trim cannot be installed on 1-3/8" doors. For 1-3/8" thick doors, order FH23CF (see page 9).

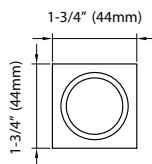
Standard FH23 Urban Trim for doors 1-3/4"



FH2300
Flush Pull Only



FH2303
Flush Pull with
Cylinder Hole



FH2382
Flush Pull with
TT08 Thumbturn

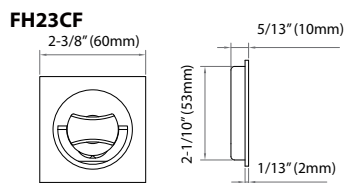
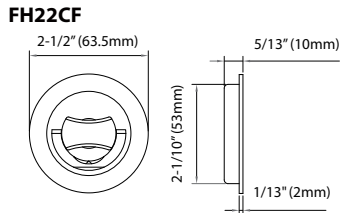


FH2304
Flush Pull with
Thumbturn Release

FH22CF Luna & FH23CF Urban Concealed Fixing Flush Pulls
For PD8000/PD5000 Sliding & Pocket Door Locks for doors 1-3/8" and Thicker



FH22CF (Concealed Fixing) with PD84



FH23CF (Concealed Fixing) with PD84

Specifications

- Standard Door Thickness: 1-3/8" or thicker
Thick Door Kits available
- Handing: Non-Handed
- Thumbturn Spindle: 5x5mm square
- Deadbolt: 1" (25.4mm)
- Cylinder: Schlage C keyway 5 pin mortise cylinder with 2 keys (KD). Keying services available; order separately

Application

For residential, hospitality or commercial application

Material

Stainless Steel/Brass

Finish

See page 35 for Finish options.

Trim Options

Concealed Fixing Trim is for doors 1-3/8" thick or greater; only available for Passage, Privacy, and Patio (not Entry) functions.

FH22CF Luna Concealed Fixing			FH23CF Urban Concealed Fixing		
FH2200CF Flush Pull Only	FH2262CF Flush Pull with TT067 Thumbturn	FH2204CF Flush Pull with Thumbturn Release	FH2300CF Flush Pull Only	FH2362CF Flush Pull w/ TT06 Thumbturn	FH2304CF Flush Pull with Thumbturn Release

Flush Pull Options



Finish Options

TRIM DESIGN	DOOR THICKNESS		BRASS MATERIAL										STAINLESS STEEL MATERIAL	
	1-3/8" +	1-3/4" or more	Brass Tones				Dark Tones		Silver Tones					
FH17...	√	√					√	√					√	√
FH27...	N/A	√	√	√	○	√	√	√	√	√	√	√	√	√
FH27...SL**	√	Use FH27	○	√	○	√	√	√	√	√	√	√	√	√
FH29...	N/A	√	√	√	○	√	√	○	√	√	○	√	√	√
FH31...	N/A	√	√	√	○	√	√	○	√	√	○	√	√	√
FH32...	N/A	√	√	√	○	√	√	○	√	√	○	√	√	√
FH22...	N/A	√	√	√	○	√	√	○	√	√	○	√	√	√
FH23...	N/A	√	√	√	○	√	√	○	√	√	○	√	√	√
FH22CF	√	√	N/A	√	○	○	√	√	○	○	○	√	√	√
FH23CF	√	√	N/A	√	○	○	√	√	○	○	○	√	√	√

√ = In stock; standard lead time 1-2 weeks

○ = Special Order; standard lead time 8-12 weeks, minimum order quantity may apply

N/A = Not Available

Finish Key:

US3 Bright Brass - Lifetime PVD

US4 Satin Brass - Lifetime PVD

US7 French Antique

US10B Oil Rubbed Bronze

G19 Graphite Black

US14 Polished Nickel (Brass) - Lifetime PVD

US15 Satin Nickel (Brass)

US26 Polished Chrome (Brass)

US26D Satin Chrome (Brass)

US32 Bright Stainless Steel - Lifetime

US32D Satin Stainless Steel - Lifetime

38 - Aged Brass

INOX™ CeraMax® Ceramic Coating:

C19G - Ceramic Graphite Black

C19 - Ceramic Flat Black

CGY - Ceramic Stormy Grey

CDB - Ceramic Dark Bronze

* US3 (605) and US14 (618) are Lifetime PVD on Brass. See inside front cover for more information.

** FH27SL (face fixing) and FH22CF and FH23CF (both concealed fixing) are Slim Trim for 1-3/8" doors. Slim Trim is not available as Keyed Entry function (Passage/Privacy/Dummy only) and the FH27SL uses the TT09 (not the TT08) thumbturn.