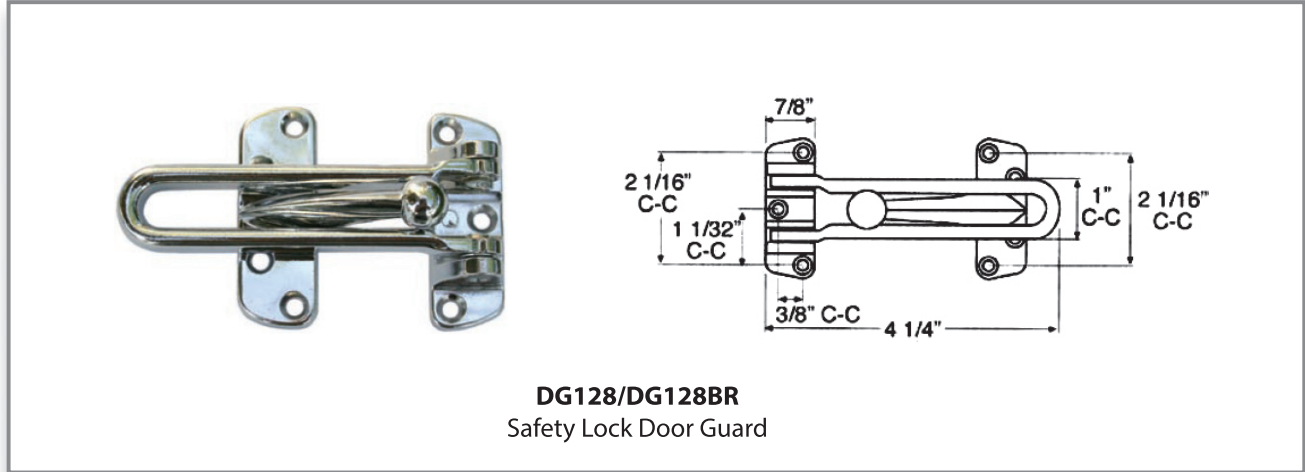


Door Guards

DG128 / DG128BR



DG128/DG128BR
Safety Lock Door Guard

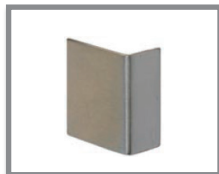
Features

- ANSI: L93042 - DG128 - Heavy pressure cast alloy
- ANSI: L13042 - DG128BR - Solid forged brass
- Positive projection lock ball not allowing forced entry
- Swing bar folds out of plate when not used
- Maximum 4" door opening when engaged
- Cannot be disengaged unless door is fully closed

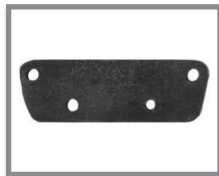
Specifications

Door Guards shall be by INOX model number DG128 and made from cast alloy or solid cast brass. Door guards to be provided with projected lock ball and flip swing bar not allowing forced entry when engaged . Swing bar shall fold out of place when not in use. Door guard shall be installed so a maximum 4 inch door opening when engaged and will not disengage until door is fully closed. Each door guard to be individually polybagged with stainless steel screws.

Options



- **DG-EDP128**
Door edge protector with adhesive



- **DG-SHM128**
Door guard shim

Finish

- Stocking: US26D (626) Satin Chrome
Special Order:
- US3 (605) Bright Brass
 - US4 (606) Satin Brass
 - US10B (613) Oil Rubbed Bronze
 - US26 (625) Bright Chrome

Code Compliance



- ANSI A156.16 L13042, L93042
- C-UBC-California Uniform Builders Code
- NFPA 80 - National Fire Protection Association
- NFPA 101 - National Fire Protection Assoc. -Life Safety

Warranty

3 Year Warranty