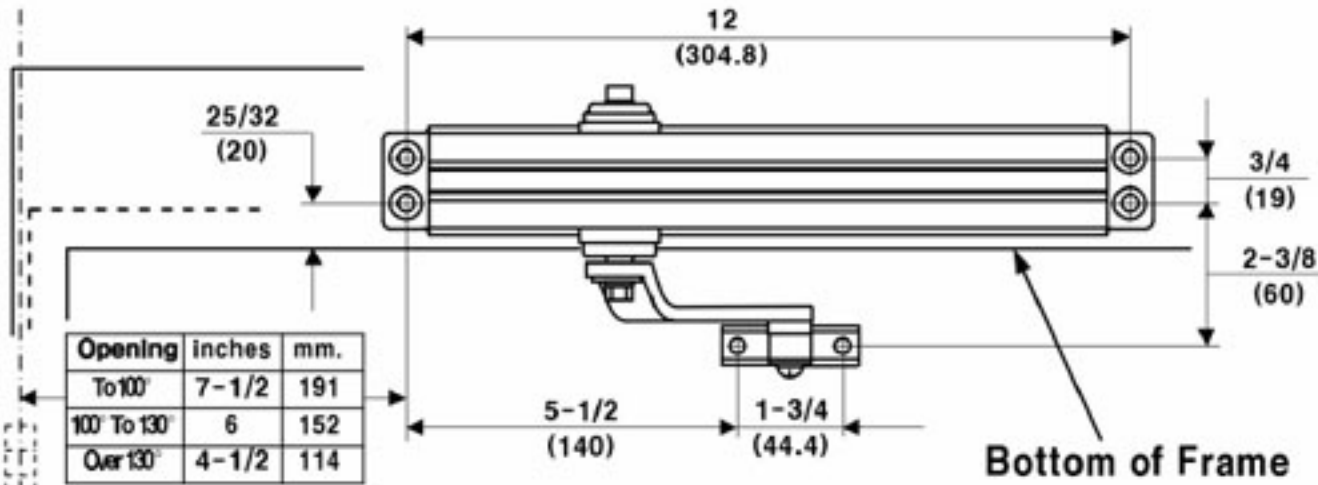
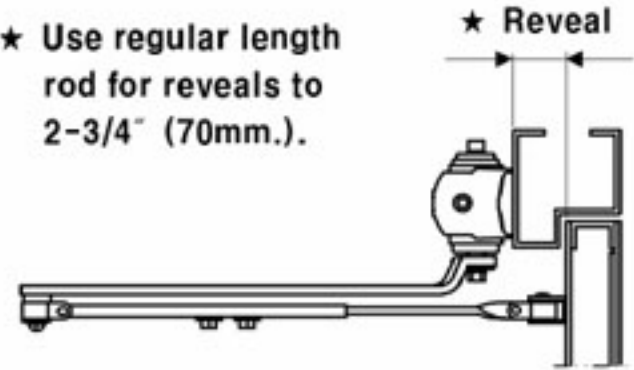


TEMPLATE FOR DC85 SERIES DOOR CLOSER TOP JAMB INSTALLATION



Opening	inches	mm.
To 100"	7-1/2	191
100" To 130"	6	152
Over 130"	4-1/2	114

★ Use regular length rod for reveals to 2-3/4" (70mm.).



- RIGHT HAND DOOR SHOWN.
- SAME DIMENSIONS APPLY FOR LEFT HAND DOOR MEASURED FROM CENTERLINE OF PIVOT POINT.
- DIMENSIONS ARE IN INCHES (mm.)

Ⓢ Hinge or Pivot

