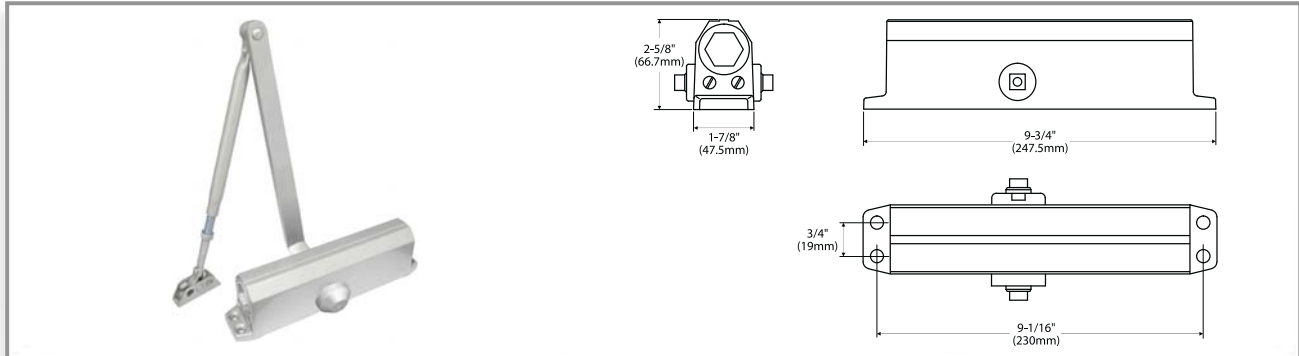


DC6114/DC6126 Grade 1 Standard Duty Door Closer



Specifications

- DC6114: Adjustable Power Size: 1 Thru 4
- DC6126: Adjustable Power Size: 2 Thru 6
- One piece Aluminum Alloy Body
- Rack-and-Pinion Design
- Separate and independent, latch, sweep and back-check pressure valves
- DC6114 door closer meets ADA Barrier-Free requirements (adjustable power size 1 thru 4)
- Non-Handed
- Standard Closer comes Less Cover. Optional Slim Cover available by special order.
- Tri-packed
- 34mm (1-11/32") diameter piston
- 16mm (5/8") diameter pinion journals
- 66.7mm (2-5/8") projection, without cover
- All standard arm applications with or without cover will allow doors to swing 180°, conditions permitting

Options

- Hold Open Arm (DCAMHO), Cush Arm (DCAMCUSH), Hold Open Cush Arm (HCUSH)
- Slide Track (DCAMST): push or pull side mounting
- Slide Track Hold Open Arm (DCAMSTH)
- Drop Plates for Narrow Top Rail (DP)
- Slim Cover (DCCV61SLC)

Finishes

Stocking: AL - US28 (689) Aluminum Painted
 Special Order:
 DU - US20 (690) Duro/Dark Bronze Painted
 GD - Gold Painted

Code Compliance



- ANSI/BHMA A156.4 Grade 1 Closers
- ANSI A117.1 ADA Accessibility (DC6114 Only)
- UL Listed for ANSI/UL10B and UL10C, CAN/ULC S104 up to 3 Hours
- UL 228 UBC Standard 7-2 (1997) NFPA 252
- NFPA 80 National Fire Protection - Fire Door Assembly
- NFPA101 National Fire Protection - Life Safety
- ANSI/BHMA A156.18 Finishes

Features

- **Aluminum Alloy Body**
Closer bodies are cast of special aluminum alloy and machined to accommodate interactive steel components under operation conditions
- **Rack & Pinion Operation**
Provides a smooth constant control of the door through its full opening and closing cycle. 180° door swing, can be achieved when door, frame, and/or arm do not interfere
- **Non-Handed**
DC6126/DC6114 door closer is non-handed and can be installed on either right or left hand swing doors
- **Sweep Speed Control Valve**
Allows adjustment of door speed from the doors 90° open position down to approximately 10° from the closed position
- **Latch Speed Control Valve**
Allows adjustment of door latch speed from approximately 10° down to the door's fully closed position
- **Tri-Packed**
DC61 Series come with self-tapping (SRT), sex nuts & bolts (SNB) and parallel arm (PA) bracket to allow for regular, top jamb, and parallel arm installations
- **Adjustable Back-Check Valve**
Provides control of the door in the opening cycle, beginning at approximately 75° of door opening. Back check cushions the door opening when the door is forcibly opened beyond its preadjusted setting
- **Multi-Sized Door Closer**
Adjustable through the power range of 1 through 4. DC6114 door closer also confirms to the opening force requirements of the ADA and ANSI/BHMA standard A117.1 for interior doors

Warranty

10 Year Warranty