

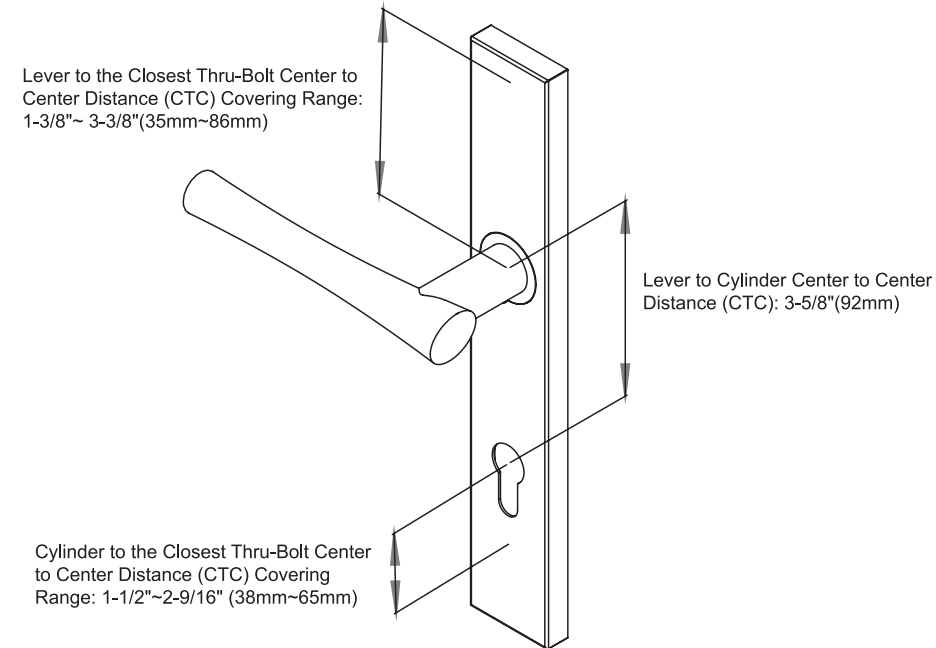
Will INOX® Standard BP/MU Plates Fit the following Locks and Door Prep?

Configuration	Door/Lock Manufacturer	Lever to Cylinder CTC	Lever to Thru-Bolt CTC	Cylinder to Thru-Bolt CTC	Emtek® Door Config.	Baldwin® Door Set Ref.	Standard INOX® Multipoint Trim Fit
Lever High, American Cylinder Below Lever	G-U®, Marvin Integrity®, Sierra Pacific Windows®, Superior®	3-5/8" (92mm)	2-9/16" (65mm)	1-3/8" (35mm)	DC #1	# 5	YES
Lever High, American Cylinder Below Lever	Pella®	3-5/8" (92mm)	2-7/8" (73mm)	1-7/8" (48mm)	DC #6	# 3	YES
Lever Low, American Cylinder Above Lever	G-U®, Pella®, Eagle®, Marvin Integrity®, Biltbest®, Hurd®, Sierra Pacific®, Willmar®	3-5/8" (92mm)	2-9/16" (65mm)	1-3/8" (35mm)	DC #2	# 5	YES
Lever Low, American Cylinder Above Lever	Ashland®, Marvin®, Milgard®, Caradco®, PGT®	3-5/8" (92mm)	1-13/16" (46mm)	1-13/16" (46mm)	DC #4	# 6	YES
Lever High, Euro Cylinder Below Lever	G-U®, Hoppe®, Hurd®, Eagle®, Kolbe & Kolbe®, Loewen®, Lincoln®, Norco®, Peachtree®, Pozzi®, Sierra Pacific®, Semco®, Vetter®, Weathershield®, Therma-Tru®	3-5/8" (92mm)	3-3/8" (86mm)	1-1/2" (38mm)	DC #5	# 1	YES
Lever High, Euro Cylinder Below Lever	G-U®, Hoppe®, Hurd®, Eagle®, Kolbe & Kolbe®, Loewen®, Lincoln®, Norco®, Peachtree®, Pozzi®, Sierra Pacific®, Semco®, Vetter®, Weathershield®	3-5/8" (92mm)	2-7/16" (62mm)	1-13/16" (46mm)	N/A	#4	YES
Inox multipoint trim will NOT fit the following door configuration.							
Lever Low, American Cylinder Above Lever	Anderson®	4-1/8" (105mm)	2-1/16" (52mm)	2-5/16" (59mm)	DC #3	# 2	NO
Lever Low, American Cylinder Above Lever	F & W Manufacturing®	6" (152mm)			DC # 7	N/A	NO

Disclaimer: INOX® is not liable for any change of specifications by door and lock manufacturers.

**Door Configurations:**

The new INOX® Multipoint Trim is designed to be an universal trim which fits the majority of multipoint locking systems for swing doors in the marketplace. INOX® Multipoint Trim has adjustable thru-bolt distance covering almost every door prep configuration as long as the Lever to Cylinder has a 3-5/8" (92mm) center distance.



\* The Covering Range and Lever to Cylinder CTC are the same for EURO and AMERICAN Locking Systems, Lever High or Lever Low.



**BP / MU Series Universal Multipoint Trim  
Installation Instruction**

( PM-IS1700-V110623 )

**Explosive Diagram:**

