

8000 Series Pocket Door Lock Set with door thickness 1-3/4" (45mm) Parts List:
(With FH22CF/FH23CF Flush Pull)



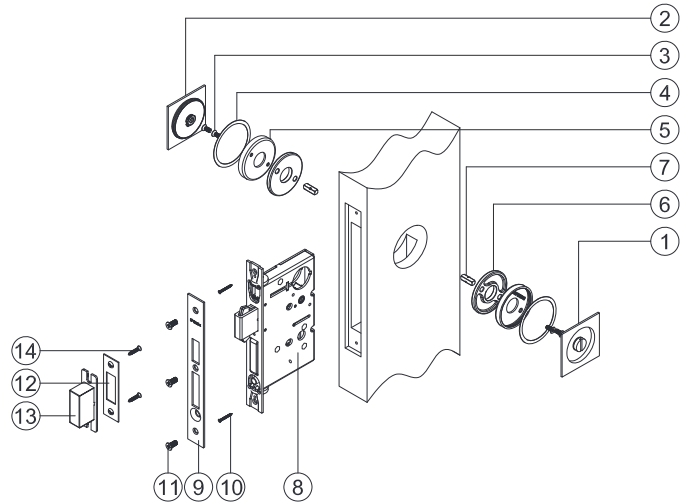
**PD8000 MORTISE LOCKSETS
FOR SLIDING AND POCKET DOOR**

With 22CF & 23CF Flush Pull

**INSTALLATION INSTRUCTIONS
(PM-IS2501-V171020)**



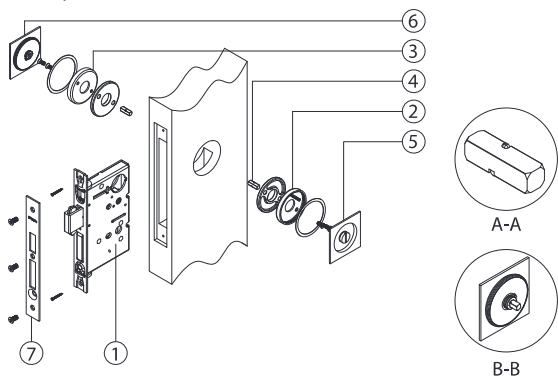
Unison Hardware Inc.
6 Wayne Court, Sacramento, CA 95829, USA
Tel: +1.916.388.1988 Fax: +1.916.388.8322
Email: info@unisonhardware.com Web: www.inoxproducts.com



Item	No.	Parts Description	Function			Notes
			Privacy	Passage	Patio	
Flush Pull Parts	1	Outside Flush Pull	1 EA	1 EA	1 EA	
	2	Inside Flush Pull	1 EA	1 EA	1 EA	
	3	#8mm Machine Screw	4 EA	4 EA	4 EA	
	4	Washer	2 EA	2 EA	2 EA	For FH23CF Only
	5	Sub Rose	2 EA	2 EA	2 EA	
	6	1-3/4" Door Spacer	2 EA	2 EA	2 EA	
	7	Spindle	2 EA	---	1 EA	
Locks	8	Mortise Pocket Lock	1 EA	1 EA	1 EA	
	9	Armored Faceplate	1 EA	1 EA	1 EA	
	10	#8screws for Inner Faceplate	2 EA	2 EA	2 EA	
	11	#8screws for Armored Faceplate	3 EA	3 EA	3 EA	
	12	Strike Plate	1 EA	1 EA	1 EA	
	13	Dust Box	1 EA	1 EA	1 EA	
Others		Screws for Strike Plate	2 EA	2 EA	2 EA	
		Door Prep Template	1 EA	1 EA	1 EA	
	Installation Instruction	1 EA	1 EA	1 EA		

Door thickness: 1-3/4" (45mm) FH22CF/FH23CF Flush Pull with PD8000 Pocket Door Lock Installation Instructions:

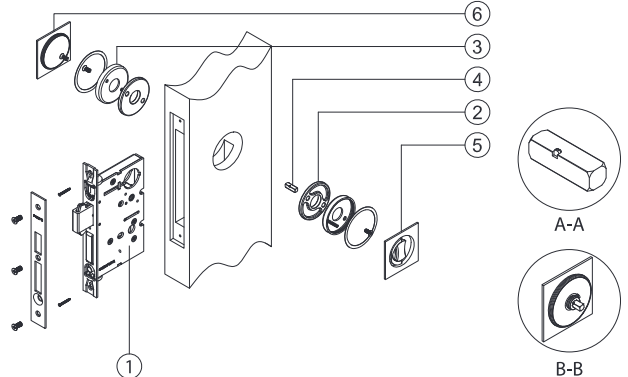
For Passage, Privacy w/ Lockcase Function: PD8010, PD8440



1. Install mortise lockcase.
2. Install outside sub rose & spacer with M4x10mm machine screw; please make sure the bolt operates smoothly after installation.

Door thickness: 1-3/4" (45mm) FH22CF/FH23CF Flush Pull with PD8000 Pocket Door Lock Installation Instructions:

For Patio Function: PD8460

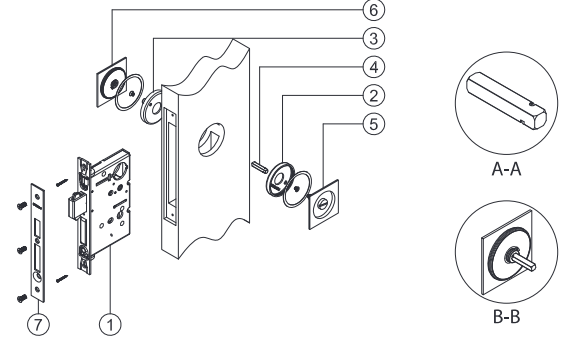
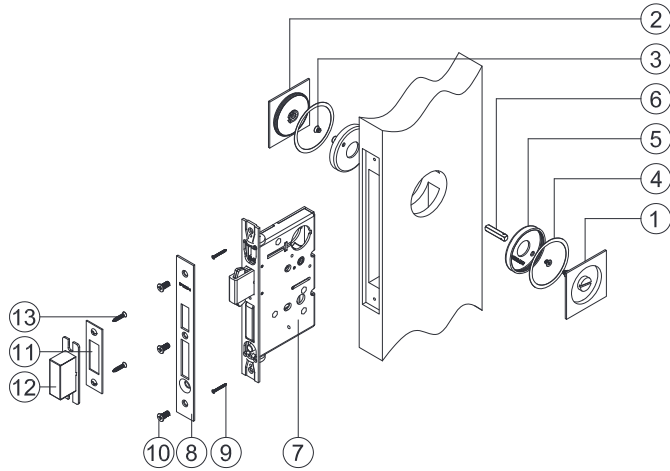


1. Install mortise lockcase.
2. Install outside sub rose & spacer with M4x10mm machine screw; please make sure bolt operates smoothly after installation.

8000 Series Pocket Door Lock Set with door thickness 1-3/8" (35mm) Parts List:
(With FH22CF/FH23CF Flush Pull)

Door thickness: 1-3/8" (35mm) FH22CF/FH23CF Flush Pull with PD8000 Pocket Door Lock Installation Instructions:

For Passage, Privacy w/ Lockcase Function: PD8010, PD8440

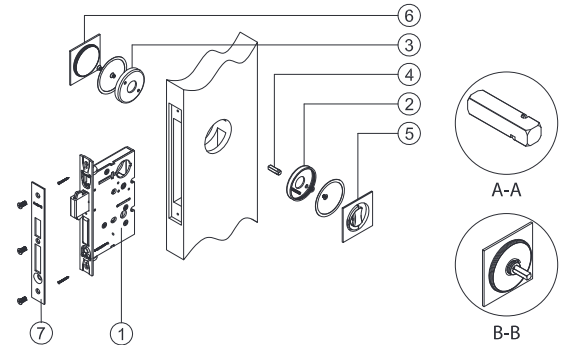


1. Install mortise lockcase.
2. Install outside sub rose with M4 x5mm machine screw; please make sure bolt operates smoothly after installation.
3. Install inside sub rose with M4 x5mm machine screw; please make sure bolt operates smoothly after installation.
4. Insert spindle into the spindle hole of mortise lockcase outside.
Note: Make sure the long side of the spindle is inserted into the lock body. See Section A-A.
5. Install outside flush pull.
Note: Please make sure the spindle hole of the trim aligns the spindle. See section B-B.
6. Install inside flush pull.
Note: Please make sure the spindle hole of the trim aligns the spindle. See section B-B.
7. Install faceplate with screws.

Item	No.	Parts Description	Function			Notes
			Privacy	Passage	Patio	
Flush Pull Parts	1	Outside Flush Pull	1 EA	1 EA	1 EA	
	2	Inside Flush Pull	1 EA	1 EA	1 EA	
	3	#8x5mm Machine Screw	4 EA	4 EA	4 EA	
	4	Washer	2 EA	2 EA	2 EA	For FH23CF Only
	5	Sub Rose	2 EA	2 EA	2 EA	
	6	Spindle	1 EA	---	1 EA	
Locks	7	Mortise Pocket Lock	1 EA	1 EA	1 EA	
	8	Armored Faceplate	1 EA	1 EA	1 EA	
	9	#8screws for Inner Faceplate	2 EA	2 EA	2 EA	
	10	#8screws for Armored Faceplate	3 EA	3 EA	3 EA	
	11	Strike Plate	1 EA	1 EA	1 EA	
	12	Dust Box	1 EA	1 EA	1 EA	
Others	13	Screws for Strike Plate	2 EA	2 EA	2 EA	
		Door Prep Template	1 EA	1 EA	1 EA	
		Installation Instruction	1 EA	1 EA	1 EA	

Door thickness: 1-3/8" (35mm) FH22CF/FH23CF Flush Pull with PD8000 Pocket Door Lock Installation Instructions:

For Patio Function: PD8460

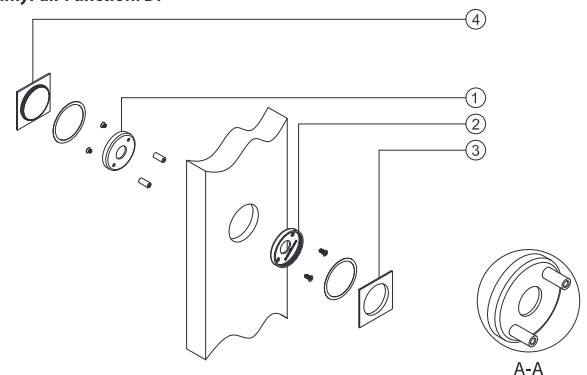
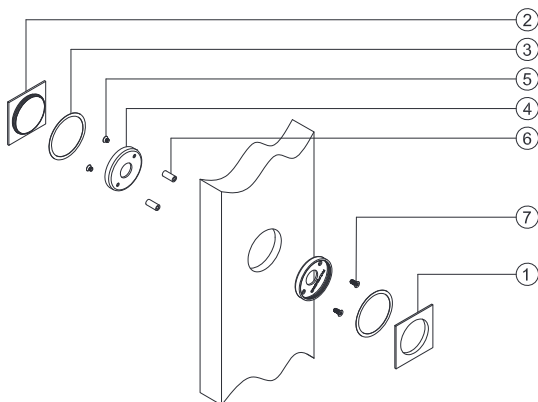


1. Install mortise lockcase.
2. Install outside sub rose with M4 x5mm machine screw; please make sure bolt operates smoothly after installation.
3. Install inside sub rose with M4 x5mm machine screw; please make sure bolt operates smoothly after installation.
4. Insert spindle into the spindle hole of mortise lockcase.
Note: Make sure the long side of the spindle is inserted into the lock body. See Section A-A.
5. Install inside flush pull.
Note: Please make sure the spindle hole of the trim aligns the spindle. See section B-B.
6. Install outside flush pull.
7. Install faceplate with screws.

Pocket Door Lock Set with Door Thickness 1-3/8" (35mm) & 1-3/4" (45mm) Parts List:
(With FH22CF/FH23CF Flush Pull)

Door thickness: 1-3/8" (35mm) & 1-3/4" (45mm) FH22CF/FH23CF Flush Pull with Pocket Door Lock Installation Instructions:

For Dummy Pair Function: DP



1. Fix bolt sleeve on the inside sub rose with M4 machine screw. See section A-A.
(please use different size of screws according to door thickness)
2. Fix outside sub rose on the bolt sleeve with M4 machine screws.

Item	No.	Parts Description	Function
			Dummy Pair